



MARKETING NEWS

Newsletter n. 09/2013

Screwed - in nozzles upgrading

Dear customers,

we inform you that the range of screwed-in nozzles has been completely updated, by means of the following new features:

- new \varnothing 60 mm diameter for the injection of large parts
- new shut off group with pin adjustment from the outside
- possibility to replace the heater and thermocouple without disassembling the tip
- nozzle length up to 696 mm with multiple heaters and superior length on request
- pin diameter \varnothing 10 mm

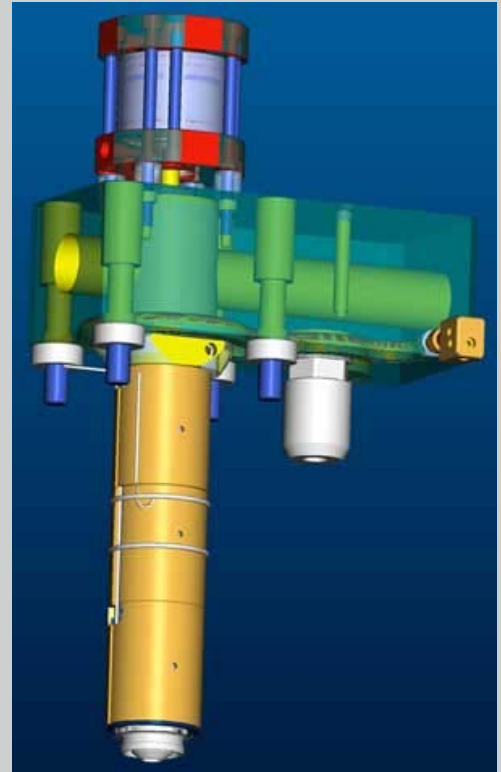
Concerning the new FN60 nozzle, a new manifold has been developed, for both versions with and without shut off group, with the following characteristics:

- manifold height 72 mm and minimum width 100 mm
- \varnothing of manifold internal channels up to 30 mm
- \varnothing of nozzle internal channel 25 mm

The tip range has not been changed.

In attachment you can find the brochure of new screwed-in nozzles.

Best regards



 www.thermoplay.it

 Download drawings

 Download brochure

 Version for printing