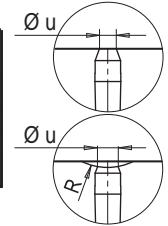


• SINGLE NOZZLE / 单喷嘴

Nozzle code / 喷嘴代码		L	Heater code 加热器代码	Watt 瓦特	Thermocouple / 温差电偶	
Tip type STD 尖头类型STD	Tip type SPR 尖头类型SPR				grounded 接地	insulated 绝缘
FLH632056-2DSTD	FLH632056-2DSPR	56	E16674	530	E05302-F32	E16027-F32
FLH632066-2DSTD	FLH632066-2DSPR	66	E16675	545		
FLH632076-2DSTD	FLH632076-2DSPR	76	E16676	545	E05504-F32	E16029-F32
FLH632086-2DSTD	FLH632086-2DSPR	86	E16677	580		
FLH632096-2DSTD	FLH632096-2DSPR	96	E16678	580		
FLH632106-2DSTD	FLH632106-2DSPR	106	E16679	615		
FLH632116-2DSTD	FLH632116-2DSPR	116	E16680	615		
FLH632126-2DSTD	FLH632126-2DSPR	126	E16681	655		
FLH632136-2DSTD	FLH632136-2DSPR	136	E16682	655	E05917-F32	E16030-F32
FLH632146-2DSTD	FLH632146-2DSPR	146	E16683	690		
FLH632156-2DSTD	FLH632156-2DSPR	156	E16684	690		
FLH632166-2DSTD	FLH632166-2DSPR	166	E16685	725	E05913-F32	E16031-F32
FLH632176-2DSTD	FLH632176-2DSPR	176	E16686	725		
FLH632186-2DSTD	FLH632186-2DSPR	186	E16687	760		
FLH632196-2DSTD	FLH632196-2DSPR	196	E16688	760		
FLH632206-2DSTD	FLH632206-2DSPR	206	E16689	800		
FLH632216-2DSTD	FLH632216-2DSPR	216	E16690	800		
FLH632226-2DSTD	FLH632226-2DSPR	226	E16691	835	E05933-F32	E16032-F32
FLH632236-2DSTD	FLH632236-2DSPR	236	E16692	835		
FLH632246-2DSTD	FLH632246-2DSPR	246	E16693	870		
FLH632256-2DSTD	FLH632256-2DSPR	256	E16694	870		

Code 代码	R	Ø u
../S001	0	5.2
../S002	1/2"	8.3
../S003	19.5	7.4
../S004	40	6.3



Example of order: 实例:

**FLH 6 32 146-2DSPR/S004 -JG**

Single nozzle / 单喷嘴  
 Diameter - 直径  
 Length - 长度  
 Tip type - 尖头类型

40 mm spheric radius injection bushing  
 40 mm球面半径注塑衬套

Grounded thermocouple / 接地热电偶

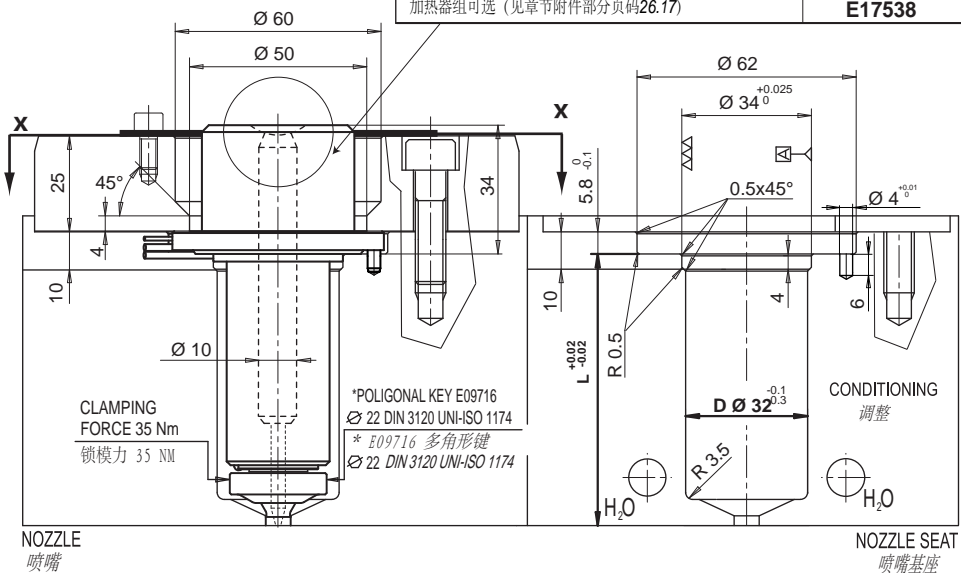
If non specified, grounded thermocouple is provided.  
 若无明确规定, 须安装接地热电偶

TIP / 尖头

Tip code / 尖头代码	
E09865	E09867

Optional band heater (See chapter Accessories page. 26.17)  
 加热器组可选 (见章节附件部分页码26.17)

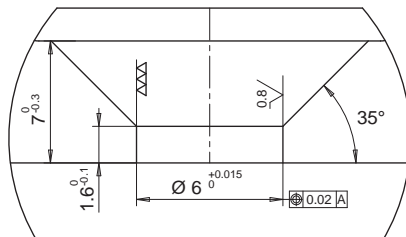
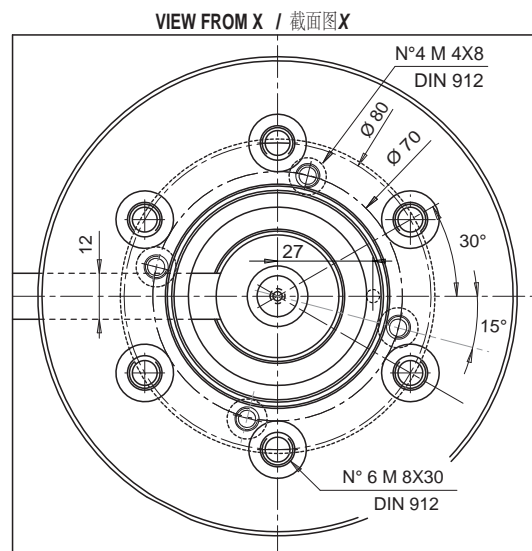
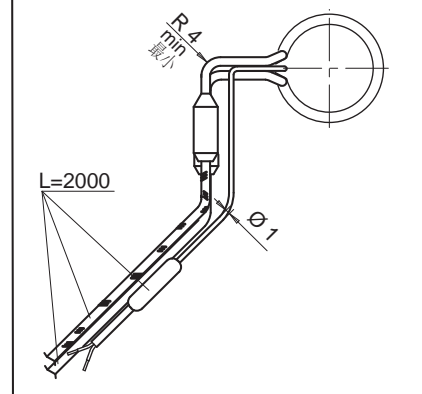
Code / 代码	Ø 32
E17538	



HEATER AND THERMOCOUPLE  
 加热器与热电偶

HEATER 加热器	White / 白色 Red White 红白色	230 V
THERMOCOUPLE 热电偶	Red / 红色 Blue / 蓝色	TC+ TC-

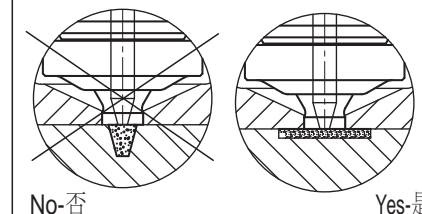
Suffix 后缀	Description / 具体描述
.. - JG	Grounded thermocouple with J type calibration J型标定接地热电偶
.. - JU	Insulated thermocouple with J type calibration J型标定绝缘热电偶



Seal ring is supplied with the single nozzles  
 向单喷嘴提供密封圈

Code / 代码	E16750
-----------	--------

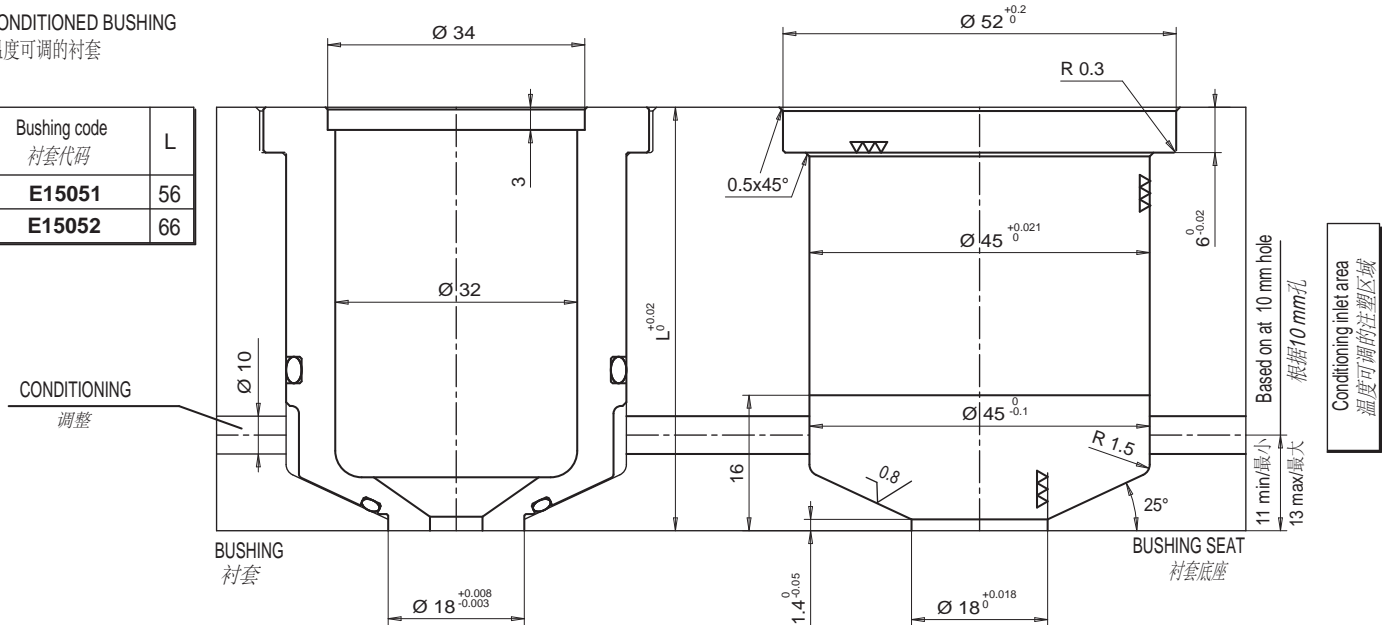
In the processing phase the nozzle MUST NOT come into contact with the steel surface of the moving part of the mould.  
 在处理阶段, 喷嘴不得与塑造中的移动零件的钢表面接触。



• CONDITIONED BUSHING / 温度可调的衬套

- CONDITIONED BUSHING
- 温度可调的衬套

Bushing code 衬套代码	L
E15051	56
E15052	66



Spacers are not provided with conditioned bushings. Available lengths are 56 and 66 as above mentioned.  
垫片不配可调温度的衬套。可用长度如上所述，为56与66。

