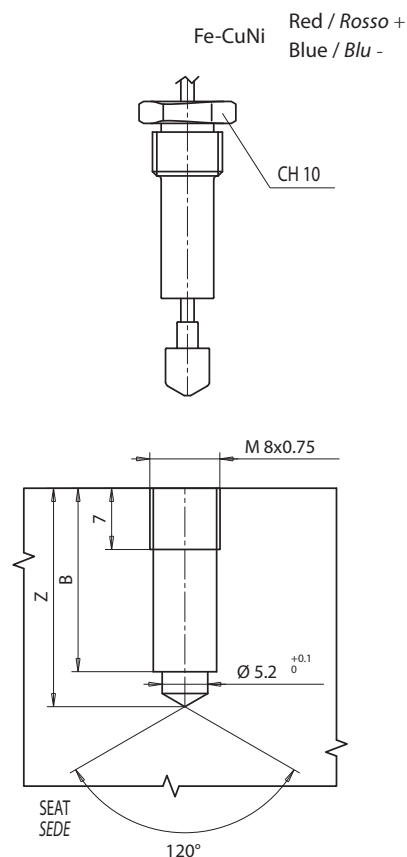




THERMOCOUPLE / TERMOCOPPIE

| Code / codice                                                     |                                | Z    | B    | L cables<br>L cavo<br>[mm] |
|-------------------------------------------------------------------|--------------------------------|------|------|----------------------------|
| .. - JG<br>grounded/a massa<br>J calibration / calibratura tipo J | .. - JU<br>insulated / isolata |      |      |                            |
| <b>E06145</b>                                                     | <b>E16058</b>                  | 12   | 8    | 2000                       |
| <b>E06148</b>                                                     | <b>E16063</b>                  | 12   | 8    | 3000                       |
| <b>E08562</b>                                                     | <b>E16054</b>                  | 24.5 | 20.5 | 2000                       |
| <b>E08573</b>                                                     | <b>E16059</b>                  | 24.5 | 20.5 | 3000                       |
| <b>E06143</b>                                                     | <b>E16055</b>                  | 30.5 | 26.5 | 2000                       |
| <b>E06146</b>                                                     | <b>E16060</b>                  | 30.5 | 26.5 | 3000                       |
| <b>E08564</b>                                                     | <b>E16056</b>                  | 44.5 | 40.5 | 2000                       |
| <b>E08571</b>                                                     | <b>E16061</b>                  | 44.5 | 40.5 | 3000                       |
| <b>E08566</b>                                                     | <b>E16057</b>                  | 54.5 | 50.5 | 2000                       |
| <b>E08572</b>                                                     | <b>E16062</b>                  | 54.5 | 50.5 | 3000                       |

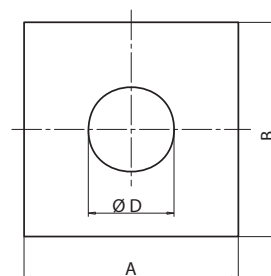
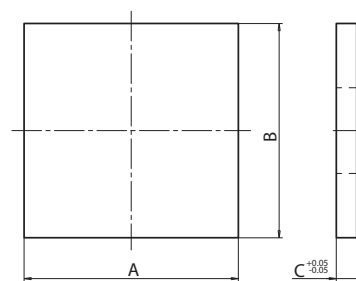


INSULATING PLATE / PIASTRE ISOLANTI

| Code / codice       | C *   |
|---------------------|-------|
| <b>E07099</b> AxBxD | 6 mm  |
| <b>E07100</b> AxBxD | 8 mm  |
| <b>E08307</b> AxBxD | 12 mm |

Other thickness on request / Altri spessori a richiesta

| Technical datas / Dati tecnici                                |                       |                       |
|---------------------------------------------------------------|-----------------------|-----------------------|
| Compression resistance<br><i>Resistenza alla compressione</i> | a 20° C               | 350 N/mm <sup>2</sup> |
|                                                               | a 200° C              | 130 N/mm <sup>2</sup> |
| Temperature resistance / <i>Resistenza alla temperatura</i>   | 200° C                |                       |
| Thermal conductivity / <i>Conducibilità termica</i>           | 0.13 W/m·k            |                       |
| Specific gravity / <i>Peso specifico</i>                      | 1.4 g/cm <sup>3</sup> |                       |
| Water absorption / <i>Assorbimento umidità</i>                | 0.1                   |                       |
| Parallelism / <i>Parallelismo</i>                             | 0.03 / 500 mm         |                       |



Specify dimensions AxBxD with order  
Specificare le dimensioni AxBxD all'ordine