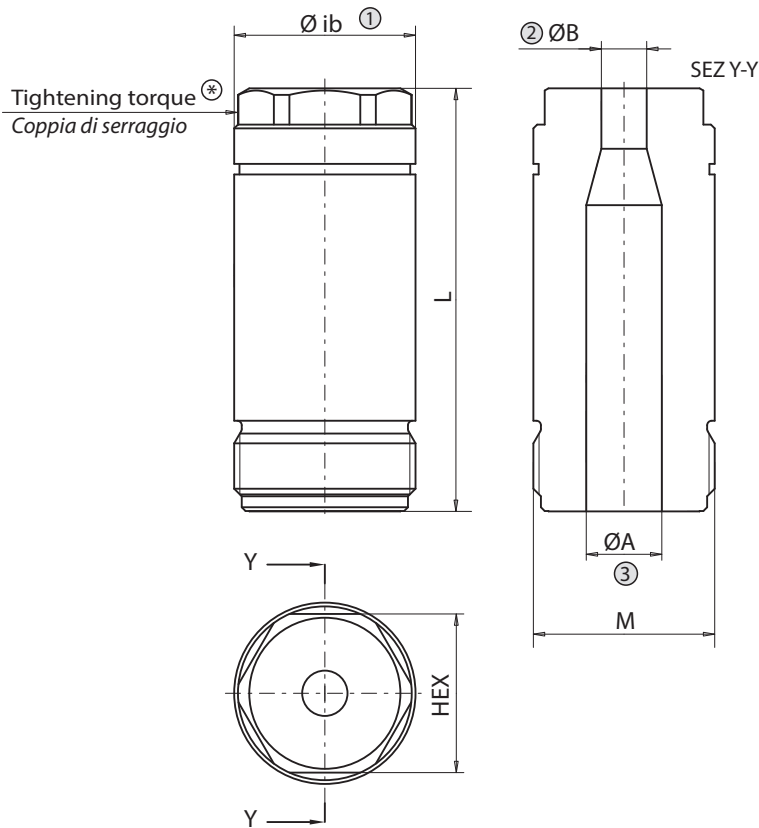
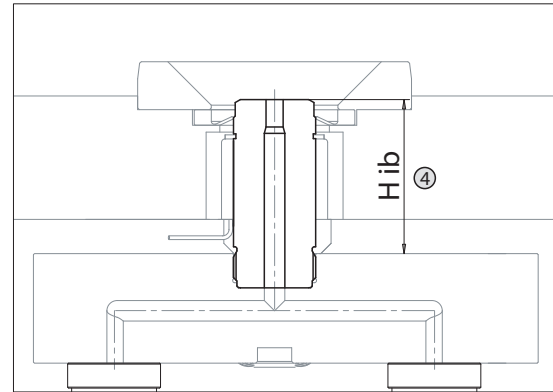
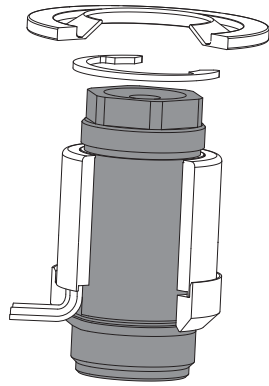


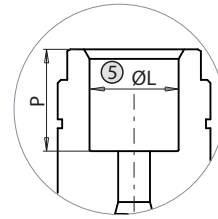
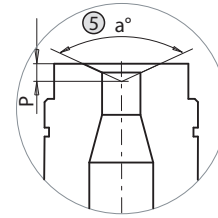
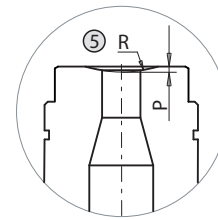


INJECTION BUSHING / BOCCOLA DI INIEZIONE



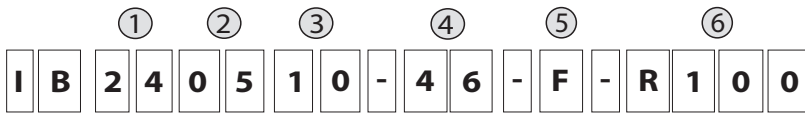
① Ø ib	④ H ib	L	M	HEX	Tightening torque * Coppia di serraggio
24	46	56	24x1.5	21	120 Nm
	62	72			
	82	92			
32	46 *	56	32x1.5	27	260 Nm
	62	72			
	86	96			

* 50 with filter and decompression
con filtro e decompressione



⑤ Suffix Suffisso	R	P
../R000	R 0	-
../R095	R 9.5	3
../R100	R 10	3
../R105	R 10.5	3
../R110	R 11	3
../R120	R 12	3
../R127	R 12.7	3
../R130	R 13	2
../R135	R 13.5	2
../R145	R 14.5	2
../R150	R 15	2
../R155	R 15.5	2
../R160	R 16	2
../R165	R 16.5	2
../R175	R 17.5	2
../R180	R 18	2
../R190	R 19	2
../R195	R 19.5	2
../R200	R 20	1
../R205	R 20.5	1
../R210	R 21	1
../R220	R 22	1
../R250	R 25	1
../R260	R 26	1
../R300	R 30	1
../R320	R 32	1
../R350	R 35	1
../R360	R 36	1
../R380	R 38	1
../R400	R 40	1
../R405	R 40.5	1
../R450	R 45	1
../R475	R 47.5	1
../A070	a°= 70°	7
../A090	a°= 90°	6
../A120	a°=120°	5
../A160	a°=160°	1.6
../14x16	ØL=14	G=16
../16x16	ØL=16	G=16

Example of order / Esempio d'ordine



- ① **2 4** Bushing diameter / *Diametro boccola (Ø ib 24 - Ø ib 32)*
- ② **0 5** Bushing hole Ø B always smaller or equal to Ø A
Foro boccola Ø B sempre più piccolo o uguale a Ø A (Ø5 - Ø7 - Ø8)
- ③ **1 0** Bushing hole Ø A always bigger or equal to Ø B
Foro boccola Ø A sempre più grande o uguale a Ø B (Ø6- Ø8- Ø10-Ø12)
- ④ **4 6** Bushing height / *Altezza boccola (H ib=46-62-82)*
- ⑤ **F** Filter when present (only suitable for IB32)
Filtro quando presente (solo disponibile per IB32)
- ⑥ **R 1 0 0** Bushing radius / *Raggio boccola (R=10)*

