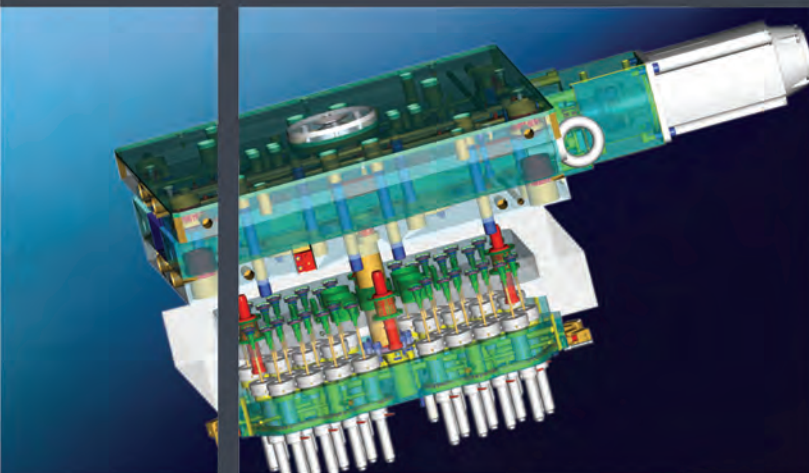



# 板式针阀驱动解决方案

Plate actuated valve gate solutions



**THERMOPLAY®**  
HotRunnerSystems  
A business of BARNES GROUP INC

简单可靠的解决方案 · 适用于多腔小阀门浇口间距 · 分离阀针行程调整  
SIMPLE AND RELIABLE SOLUTION · SUITABLE FOR HIGH CAVITATION  
MINIMUM VALVE GATE PITCH · SEPARATED PIN STROKE ADJUSTMENTS



## 气动和液压板式针 阀同步驱动系统

### ■ 主要特点:

- 紧凑型针阀系统和驱动器。
- 喷嘴和阀针间距最小。
- 型腔打开和关闭完全同步。
- 在每个型腔独立机械调节阀针长度 (已获专利)。
- 可单独使用阀针 (型腔之间的距离 > 36mm时 专利申请中)。
- 能够在注塑机上打开和关闭型腔并调节阀针

### ■ 技术特点:

- 喷嘴间最小间距:
  - 体积最小, 喷嘴间距最小17毫米
  - 带有阀针分离和调节装置: 36 mm
  - 只有阀针调节装置: 22 mm
- 喷嘴数量: 2-64
- 阀针最大直径: 3.5 mm

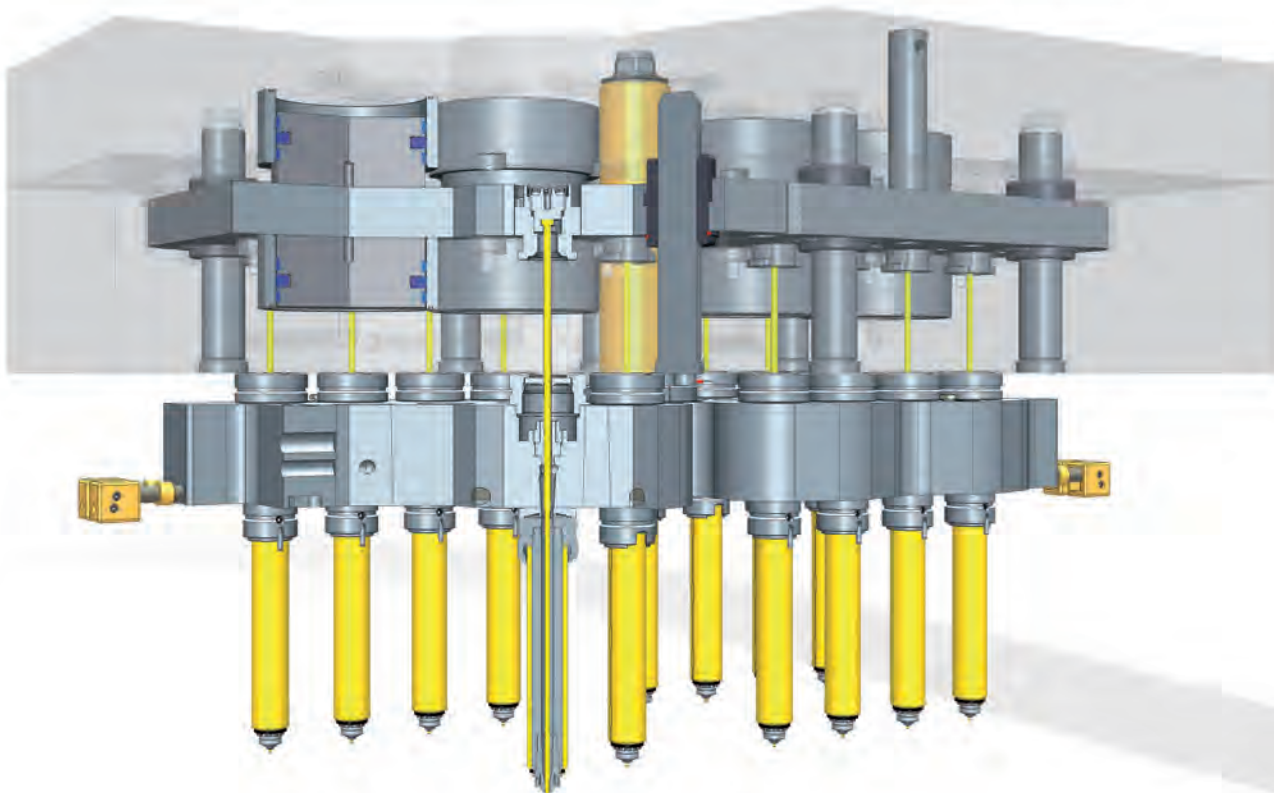
## Synchronized pneumatic or hydraulic actuation plate for valve gate systems

### ■ Main features:

- Compact valve gate system and actuation.
- Minimum pitch of nozzles and shut off pins.
- Perfect synchronism in opening and closing the cavities.
- Mechanical adjustment of needle length, independent on each single cavity (PATENTED).
- Possibility to release a single pin (with distance between cavities >36mm) (PATENT PENDING).
- Opening/closing cavities, and pin adjustment can be executed on the machine

### ■ Technical characteristics:

- Minimum pitch of nozzles:
  - system with minimum dimension: 17 mm
  - with disengaging and pin adjustment devices: 38 mm
  - only with pin adjustment device: 22 mm
- Nozzles quantity: 2÷64
- Maximum pin diameter: 3,5 mm







## 电动针阀板式 同步驱动系统

■ 除了上述特点外，  
电动推板式还包括以下特点：

- 独立和小巧的电动控制组。
- 所有零件不加润滑油。
- 整个行程(10 mm)可高效持续运行
- 基本维护：定期润滑运动部件时不用拆卸零件。
- 日常快捷保养：注塑系统（包含阀针和阀针导套）正常保养时没必要拆除驱动系统零件（如轴，螺杆，螺母，支撑垫片）。
- 适用于洁净空室使用。

### 技术参数：

- 输入电压：380 V
- 驱动组最小厚度：144mm
- 热半模最小尺寸：346x396mm
- 阀针行程：5÷10 mm
- 阀针的打开和关闭时间：根据阀针行程从0,1到0,15秒

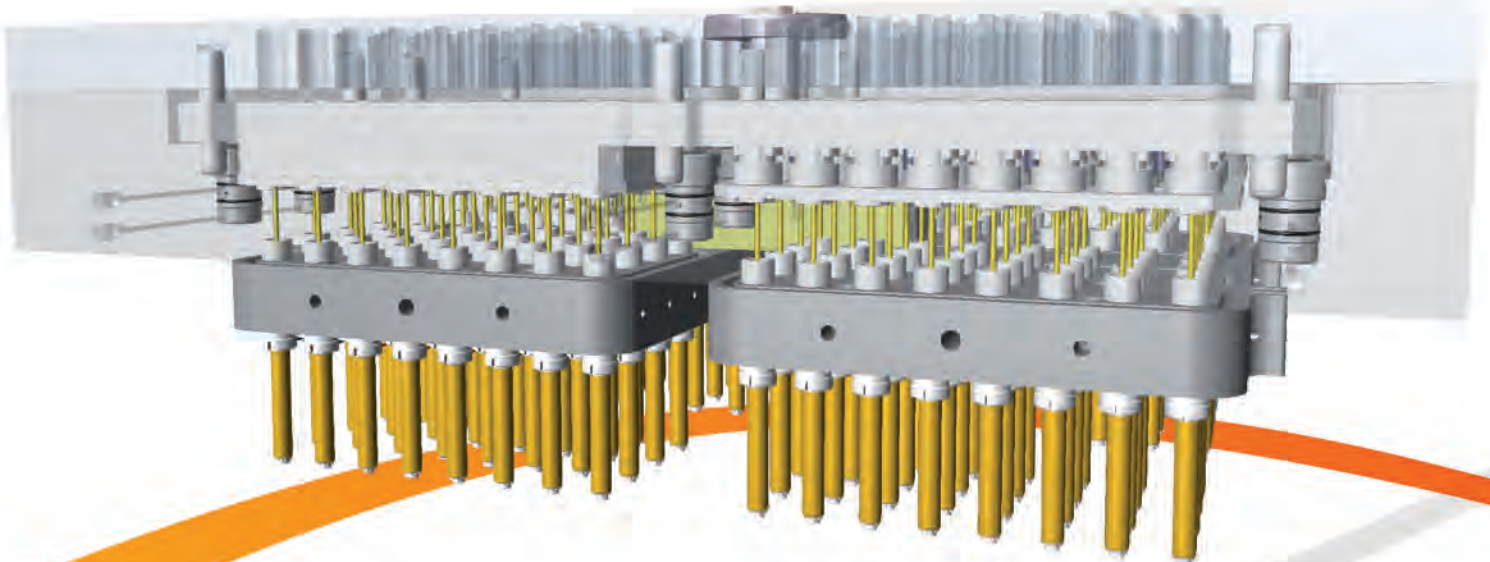
## Synchronized electric actuation plate for valve gate systems

■ In addition to the features previously described, the electric actuation plate also includes the following characteristics:

- Electric motion group independent and small sized.
- No lubrication is needed in any element.
- High and constant movement force on the whole stroke (10 mm)
- Minimum maintenance: no component has to be removed for the periodical lubrication of the movement components.
- Faster routine maintenance: it is no more required to disassembly the operation components of the system (shafts, screw and nut screw, support bearings) for the routine maintenance for the injection system (including pins and pin drive bushings).
- Ideal for operation in clean room.

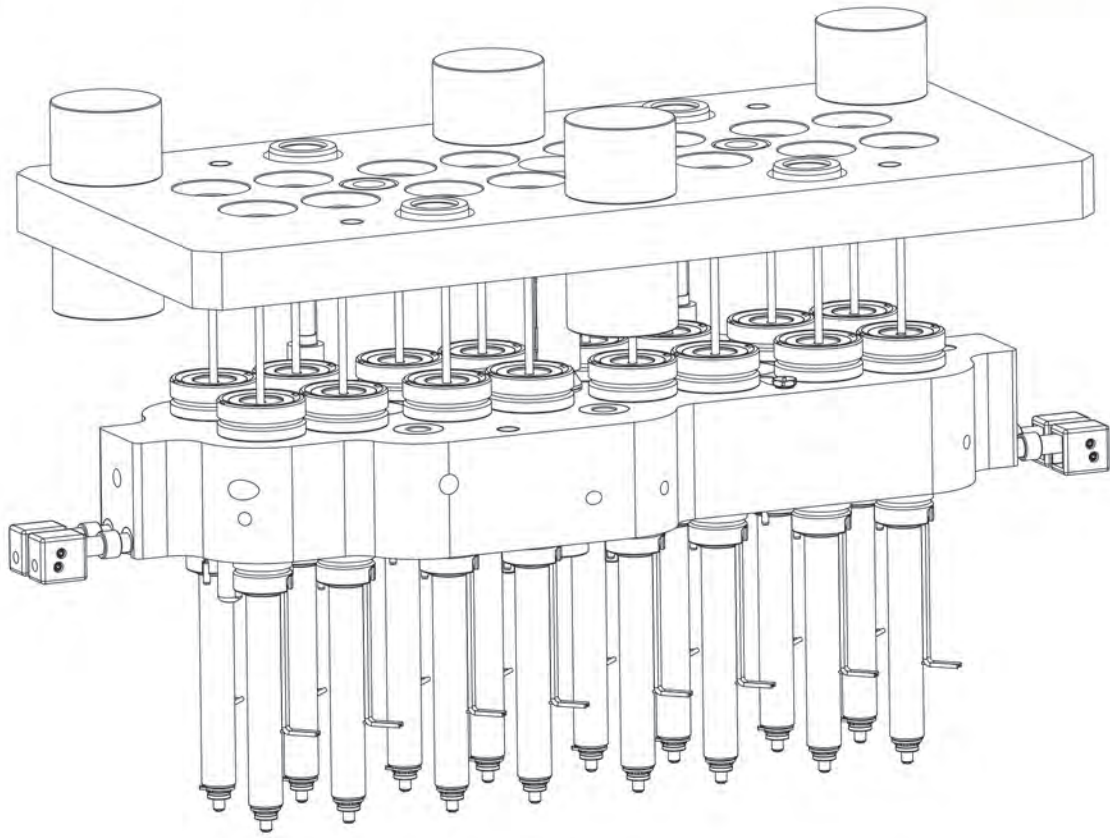
### Technical characteristics:

- Input power: 380 V
- Minimum thickness of motion group: 144 mm
- Minimum hot half size: 346x396 mm
- Pin stroke: 5÷10 mm
- Pin open/close time: 0,1÷0,15 sec depending on the pin stroke

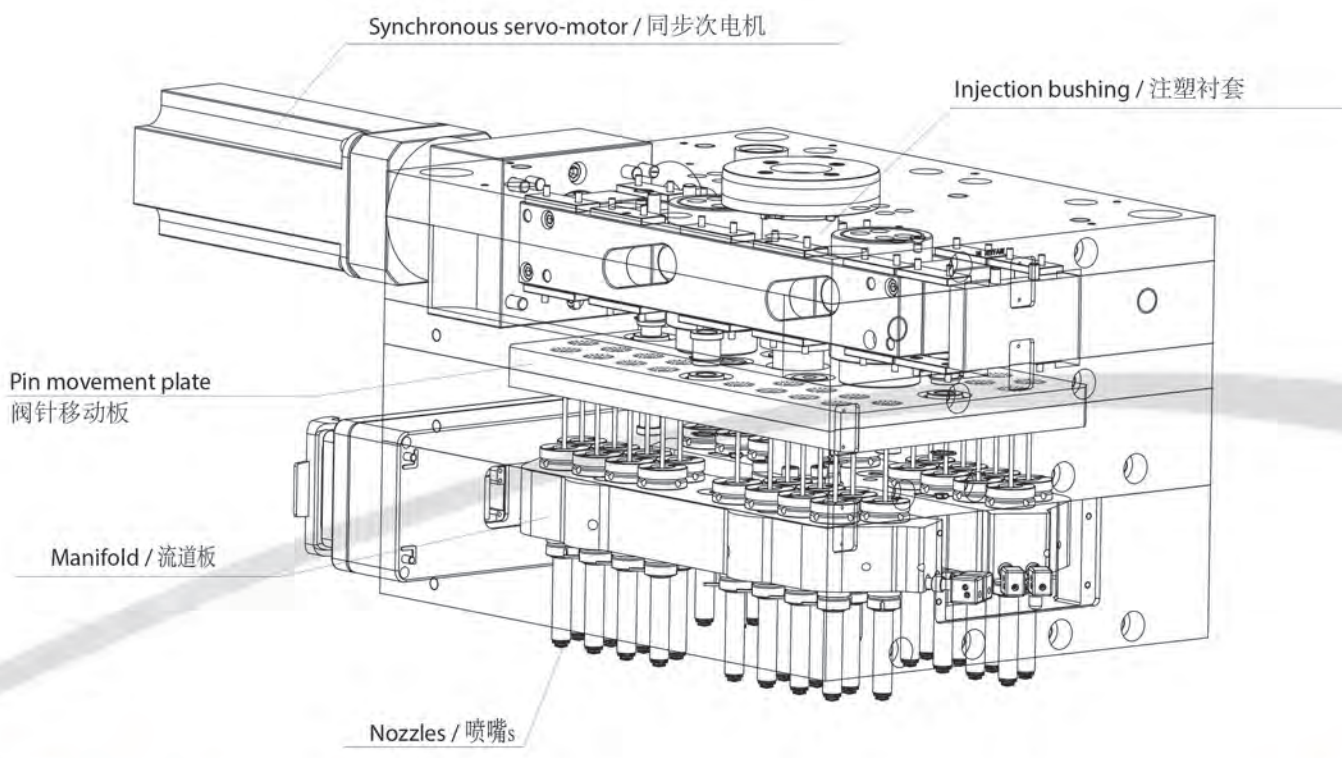




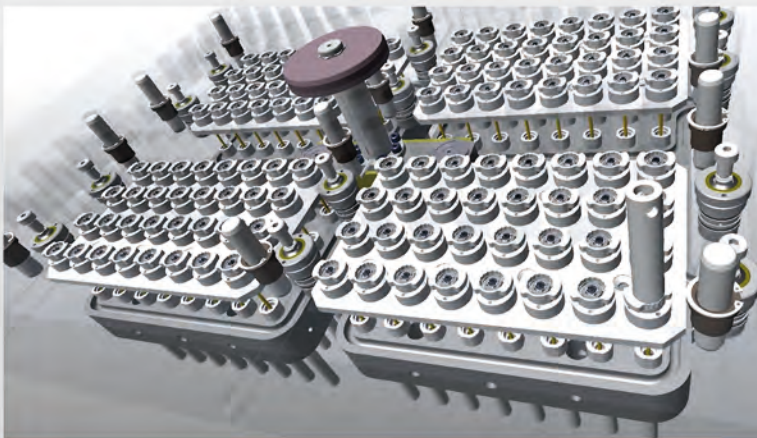
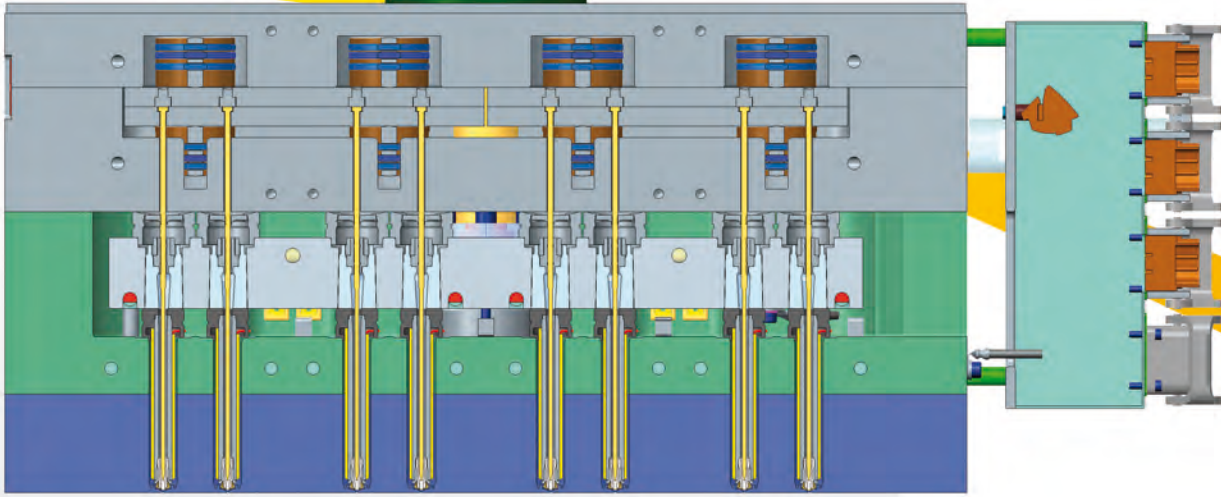
• PNEUMATIC OPERATION / 气动操作



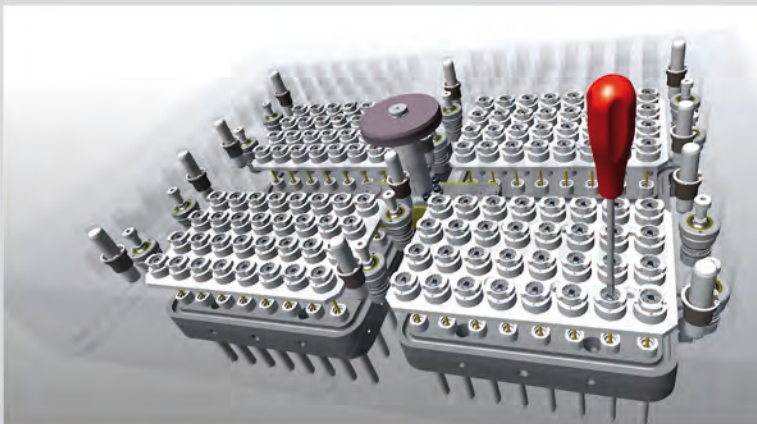
• ELECTRICAL DRIVE THROUGH SYNCHRONOUS SERVO-MOTOR / 通过同步次电机进行电气传动







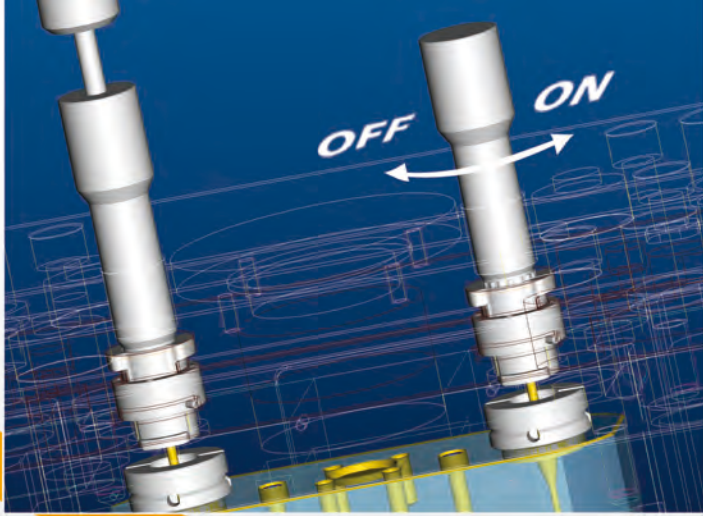
便于型腔打开和关闭 / Easy cavity open/close



气动和液压板式针阀同步驱动系统 / Pin stroke adjustment







A business of BARNES GROUP INC

**THERMOPLAY S.p.A.**

Via Carlo Viola, 74 - 11026 Pont Saint Martin (AO) Italy  
 Tel.: +39 0125 800311 - Fax.: +39 0125 800336  
 thermoplay@thermoplay.com

**THERMOPLAY FRANCE s.a.r.l.**

Tel.: +39 0125 800311  
 Fax.: +39 0125 800336  
 info@thermoplay.fr

**THERMOPLAY U.K. Ltd.**

Tel.: +44 1702 473876  
 Fax.: +39 0125 800336  
 thermoplay@thermoplay.co.uk

**THERMOPLAY DEUTSCHLAND GmbH**

Unter Gereuth 9-11, 79353 Bahlingen, Germany  
 Tel. +49 (0) 7663 609-0 - info@thermoplay.de

**THERMOPLAY PORTUGAL Unipessoal Lda**

Rua Dr. Manuel Ribeiro De Oliveira R/C Esq., 2400-178 Leiria, Portugal  
 Tel.: +351 244 577247 - geral@thermoplay.pt

**THERMOPLAY USA**

1105 Progress Industrial Blvd.  
 Lawrenceville GA 30043 USA - Tel.: +1 770-449-1820  
 Fax: +1 770-449 1821 - info@maenner-group.com

**圣万提注塑工业(苏州)有限公司**

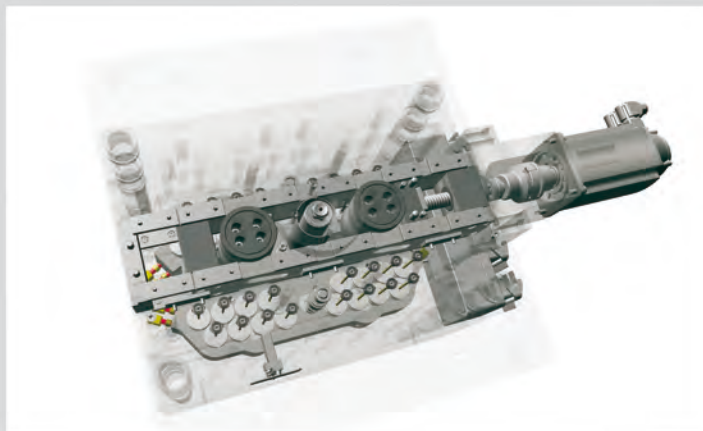
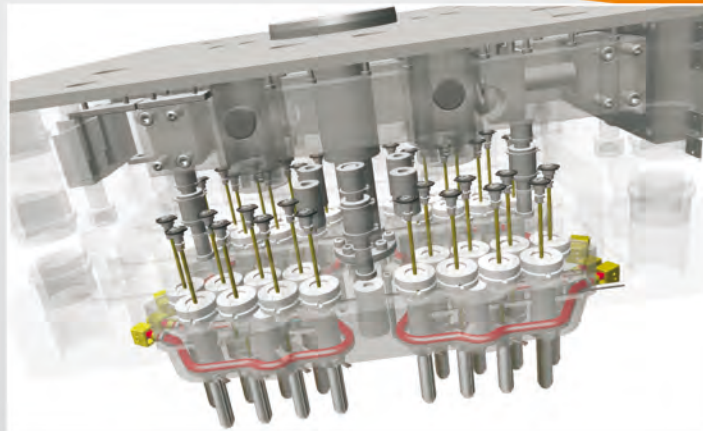
苏州工业园区港田工业坊128 邮编: 215021  
 电话: +86 512 6283 8870 - 传真: +86 512 6283 8890  
 infohrcn@synventive.com

**THERMOPLAY BRASIL Sistemas de Injeção Ltda**

Rua Wallace Barnes 301, 13054-701 Campinas, SP, Brasil  
 Tel.: +55 19 3725 1092 - thermoplaybr@thermoplay.com

**THERMOPLAY INDIA Private Limited**

1st Floor "Casa Fernandes" - Kamat Kinara Lane  
 Miramar-Panaji, GOA-403 002, India  
 Tel. +91 832 2461155 / 2461156 - info@thermoplay.in



[www.thermoplay.com](http://www.thermoplay.com)

ARGENTINA AUSTRIA BELARUS BELGIUM BRASIL BULGARIA CANADA CHILE  
 CHINA COLOMBIA CROATIA CZECH REPUBLIC EGYPT FRANCE GERMANY  
 GREECE HUNGARY INDIA INDONESIA ISRAEL ITALY JAPAN JORDAN KOREA  
 LUXEMBURG MALAYSIA MEXICO NEW ZEALAND PERU POLAND PORTUGAL  
 REP. OF SOUTH AFRICA ROMANIA RUSSIA SAUDI ARABIA SERBIA MONTENEGRO  
 SINGAPORE SLOVENIA SPAIN SWEDEN SWITZERLAND TAIWAN THAILAND  
 THE NETHERLANDS TUNISIA TURKEY UNITED KINGDOM USA VIETNAM