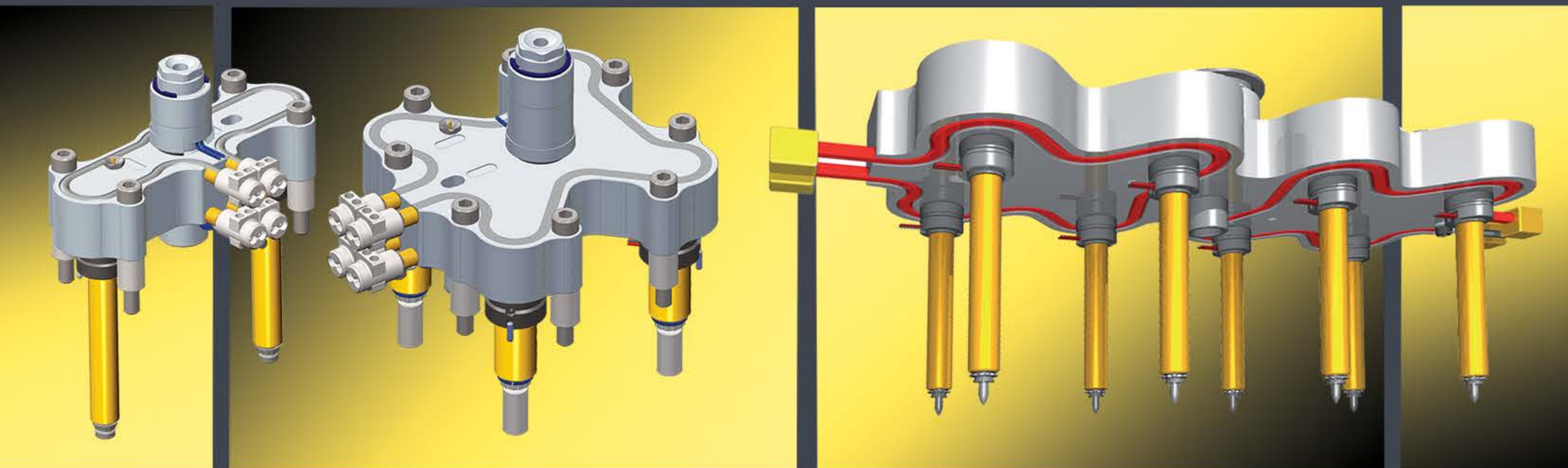


WEBCREATOR

热流道在线自动定制系统

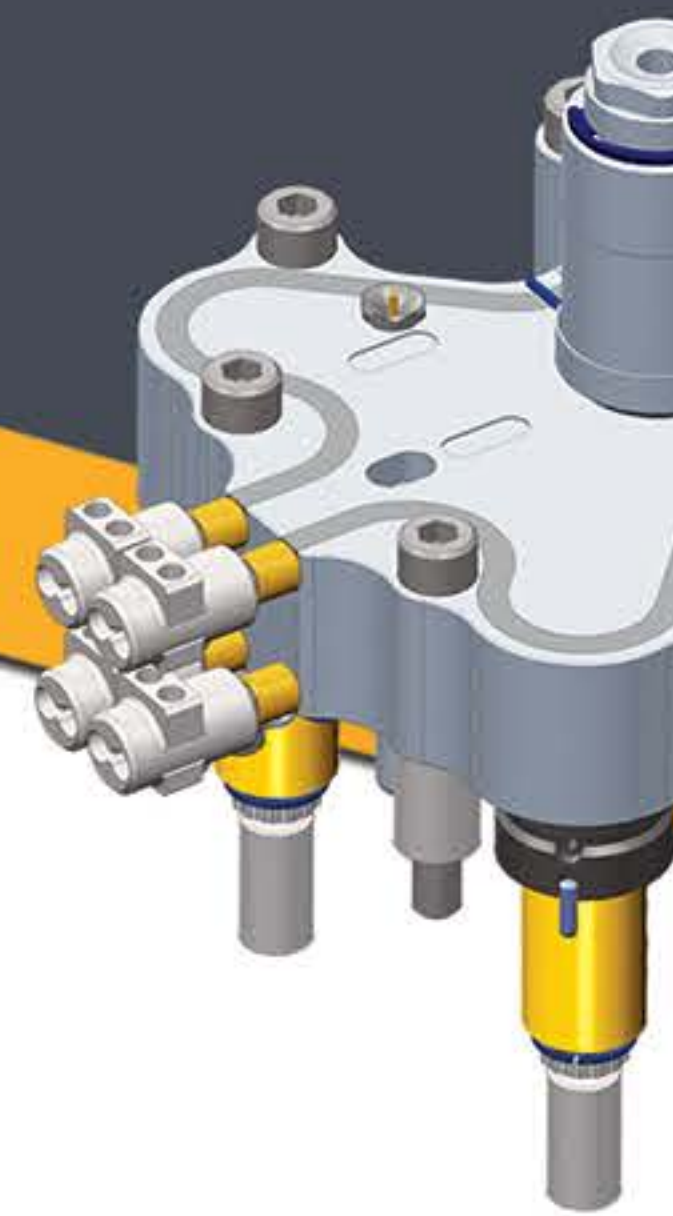
Online Configurator



可自由配置的成型系统和附件 • 缩短项目和生产时间 • 高质量的CAD模型

FREELY CONFIGURABLE INJECTION SYSTEMS AND ACCESSORIES • PROJECT AND PRODUCTION TIME REDUCTION • HIGH QUALITY CAD MODELS

WEBCREATOR 热流道在线自动定制系统



■ 主要特点

WEBCREATOR是用于设计和生产热流道系统的集成系统，同时配置标准喷嘴和附件，可生成高品质的CAD 2D和3D模型，减少生产时间。

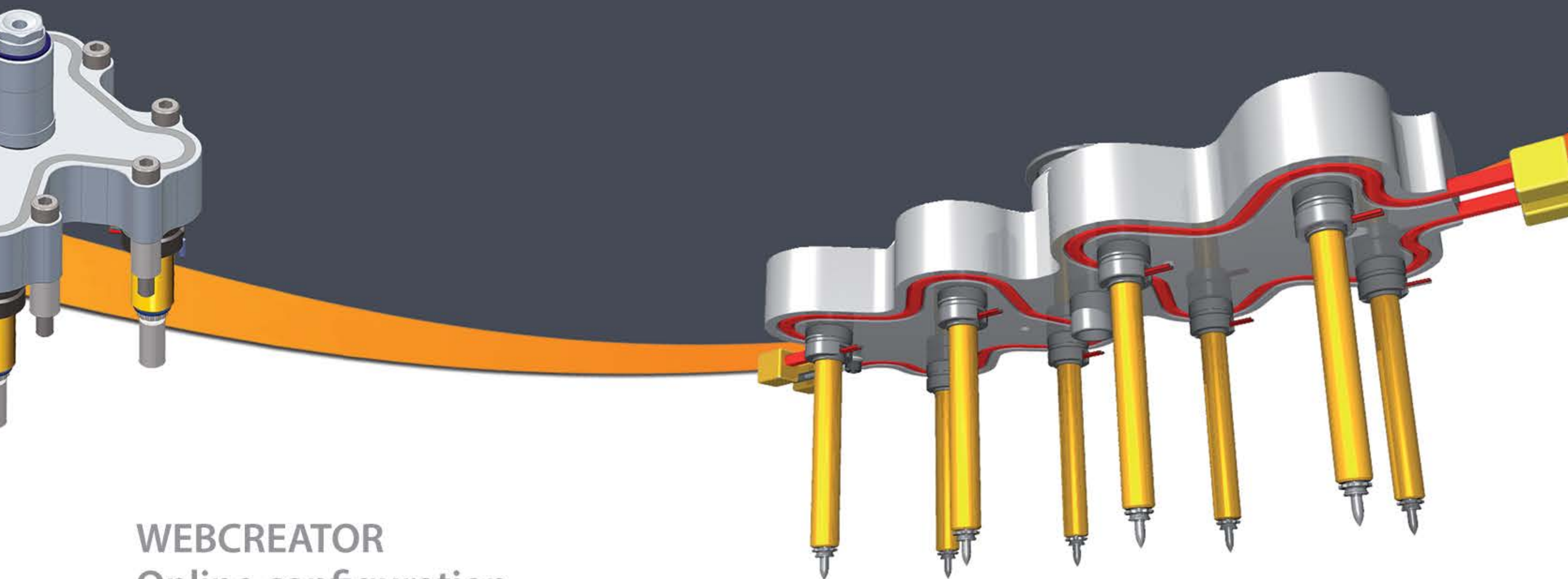
所有流道板都可以根据喷嘴之间的距离、注入的原材料和工艺条件进行自由配置。
流道板孔径和喷嘴的直径以及注塑浇口套的点尺寸在配置期间都可以进行选择。

配置结束后，会生成统一格式的2D图纸和3D模型，然后压缩在同一文件中发送至用户邮箱，压缩文件中还包括配置详情表格和零部件清单。

任何配置之后都可以加以修改，生成新的配置。WEBCREATOR不会对注入原材料的系统适用性进行任何检查，只会对图纸设计进行升级。我们建议登录网站www.thermoplay.com，进入相关页面填写所有要求的数据。

在线配置的的分流板类型有：
ELS系列，喷嘴之间对称且间距可调，提供1，2和4点。可以配置针阀或开放式。
6和8点ELS系列，喷嘴之间距离固定且不提供针阀式。
VS系列，提供4、8和16点配置，带或不带针阀。喷嘴之间的距离可以是对称的或不对称，它们可以设置为“X”或“H”形状。





WEBCREATOR Online configuration system of hot runners

■ Main features:

WEBCREATOR is an integrated system for design and production hot runner systems, configured with standard nozzles and accessories. It generates high quality reducing the production time.

All the manifolds are freely configurable in relation to the distance between the nozzles, to the polymer injected and to the process conditions.

The diameter of the manifold channels, and of the descent holes to the nozzles and the injection bushing size are dimensioned according to the choices made during configuration.

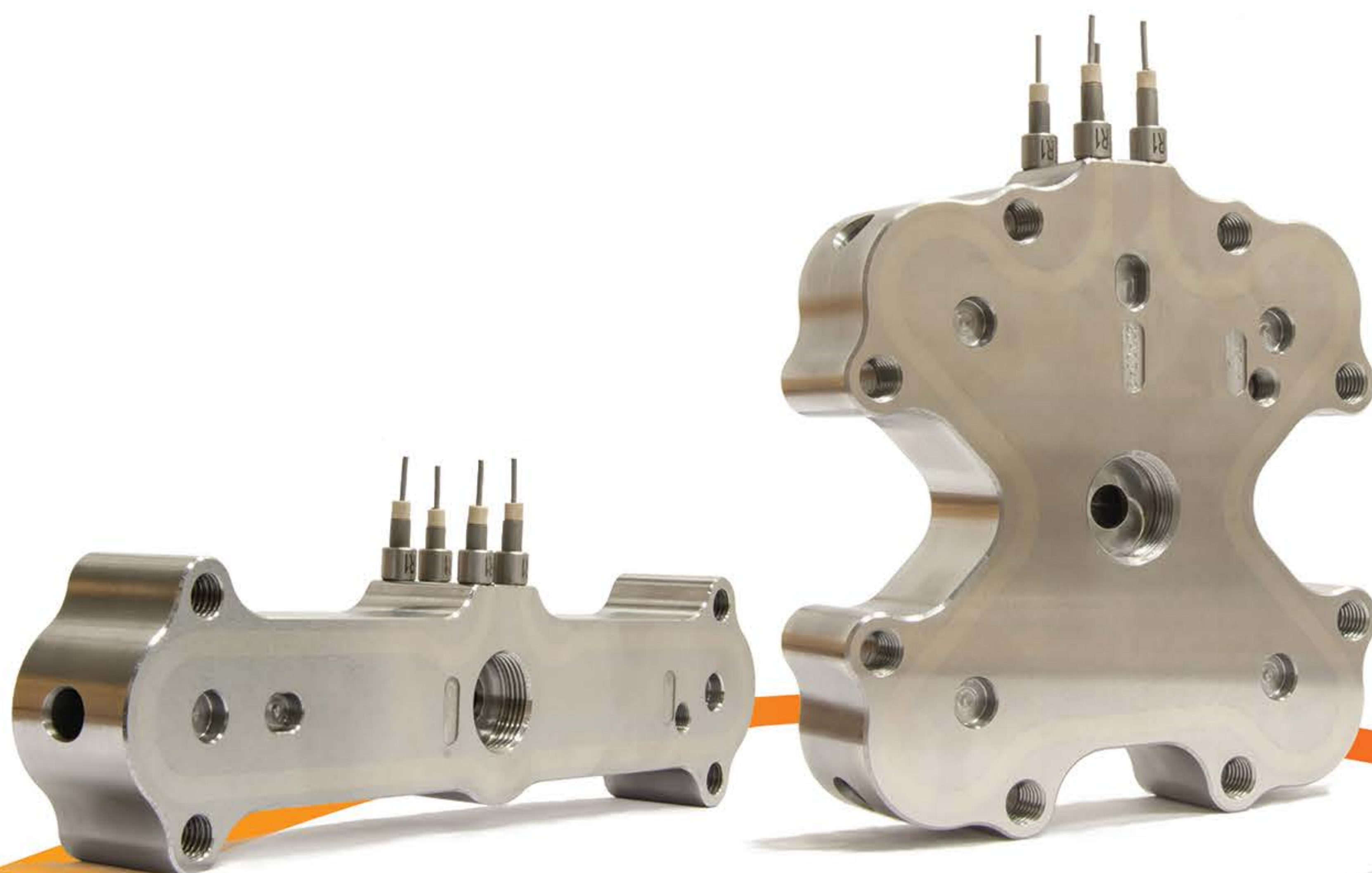
After configuration, the 2D drawings and 3D models are generated in the requested format and sent to the email address of the user in a single zipped file, which also includes the configuration sheet and part list.

Any configuration made, can be modified to generate a new configuration afterwards.

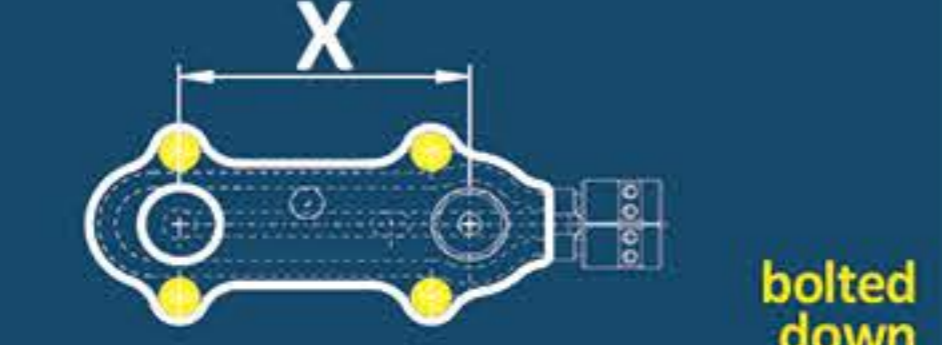
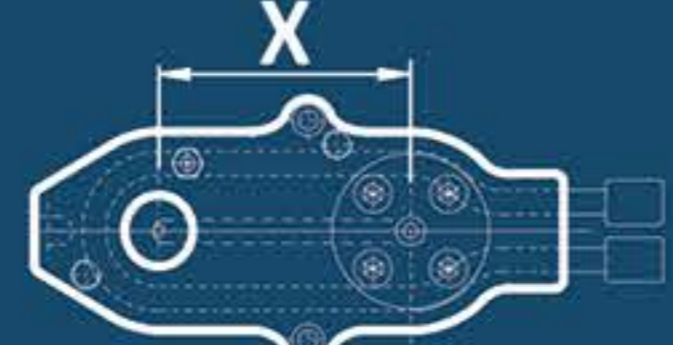


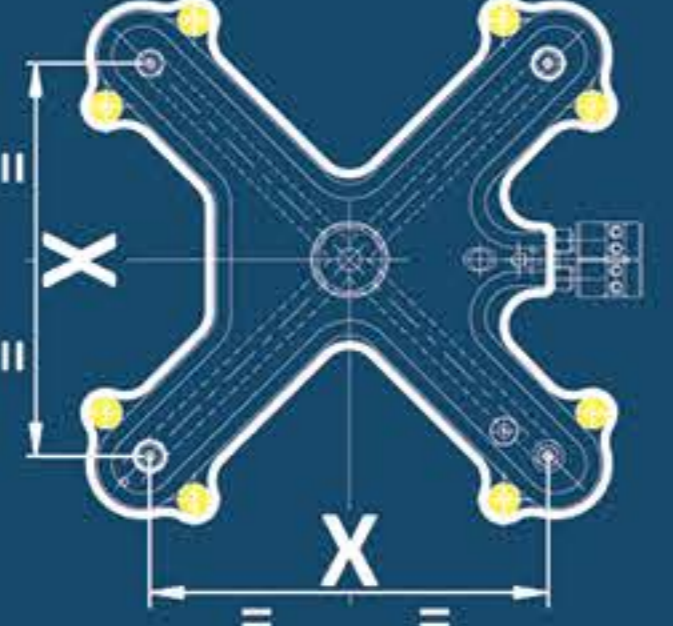
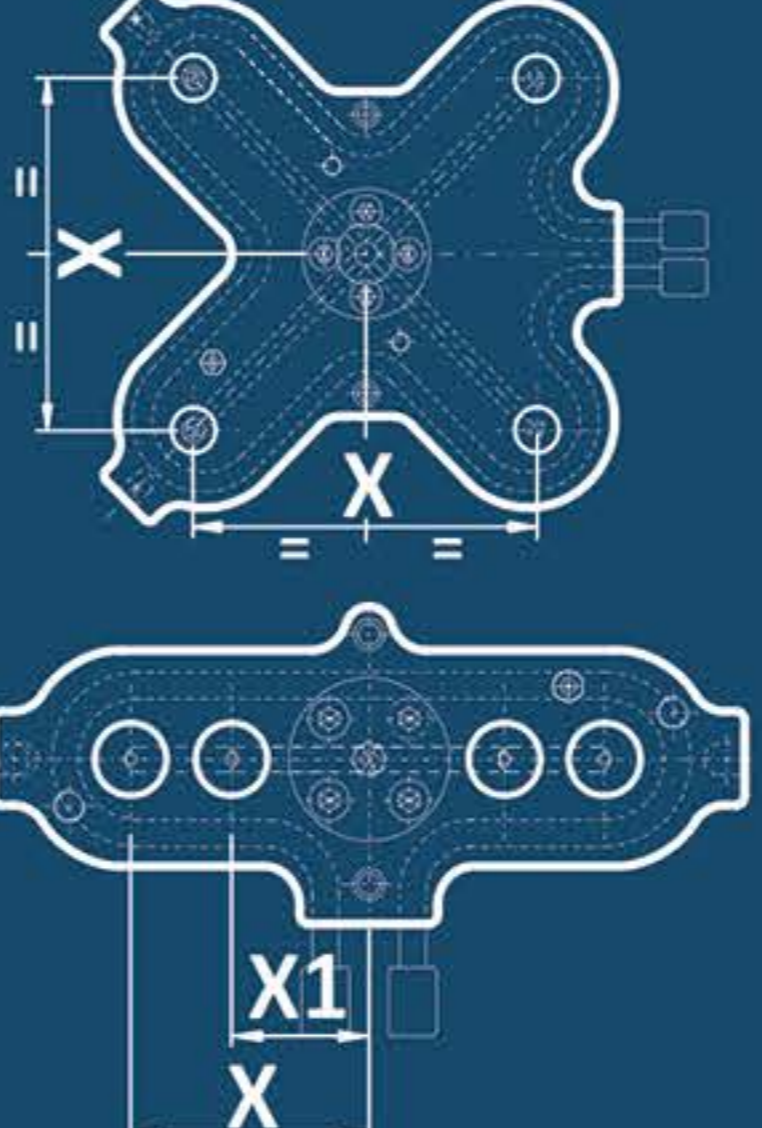
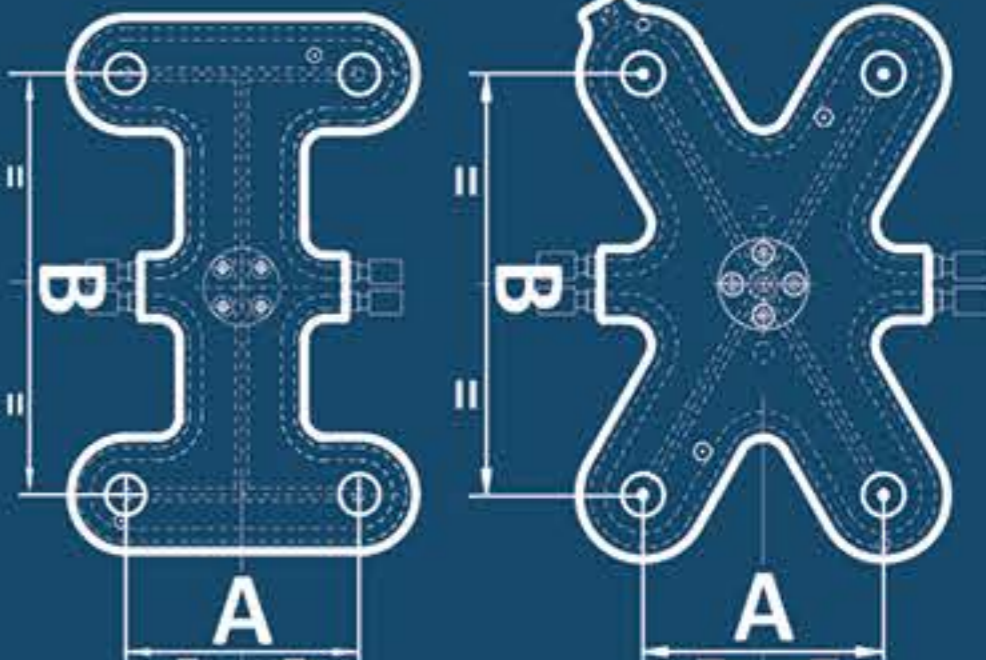


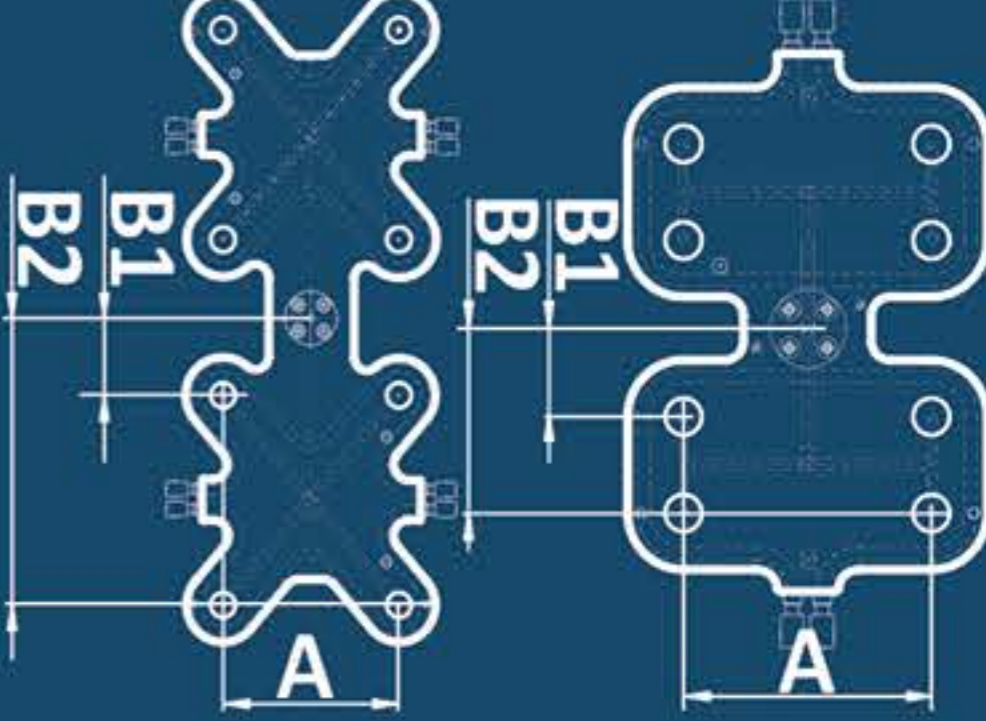
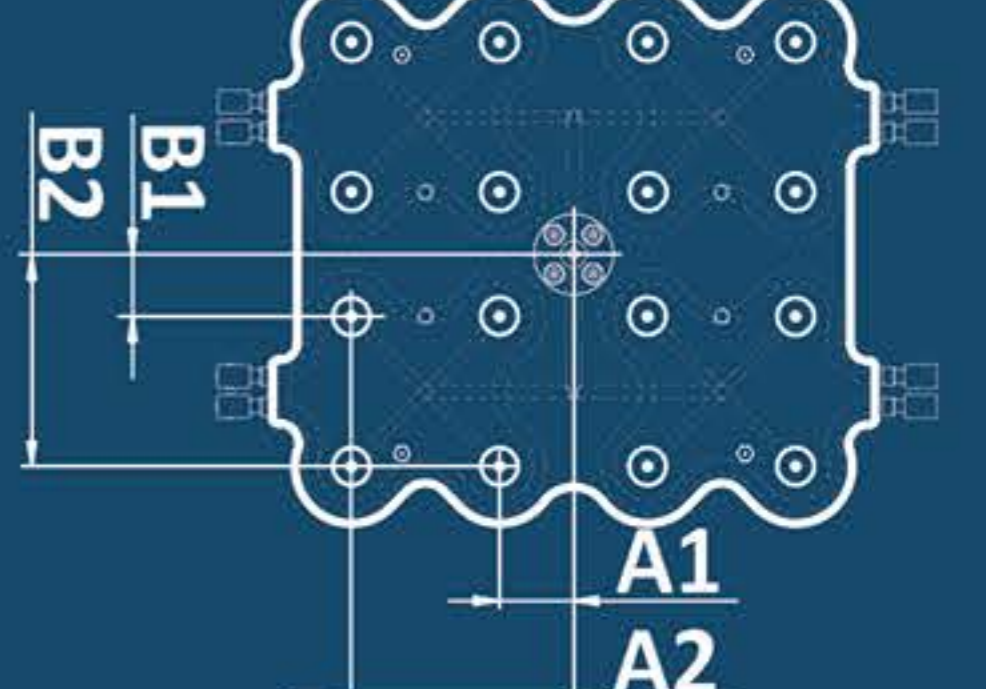
WEBCREATOR does not perform any check on the configured system in relation to the injected polymer. It is subjected to evolve. We suggest to connect to the web site www.thermoplay.com, access to the process and fill all the requested data.

The available manifold types on the configurator are:

- ELS series with symmetrical and variable distance between nozzles, available with 1,2, and 4 drops. It could be configured with or without valve gates.
- ELS series with 6 and 8 drops, with fixed distance between nozzles, cannot be provided with valve gates.
- VS series, available with 4, 8 and 16 drops configuration, with or without shut off valves. The distance between nozzles can be either symmetrical or not, therefore they can be provided with "X" or "H" shape.



WEBCREATOR Online Configurator

Drops	Bolted down manifolds without pressure pads 40% cut out reduction ELS Easy Line System	ELS Easy Line System	VS Variable System
1			
2			
4			
6			
8			
16			

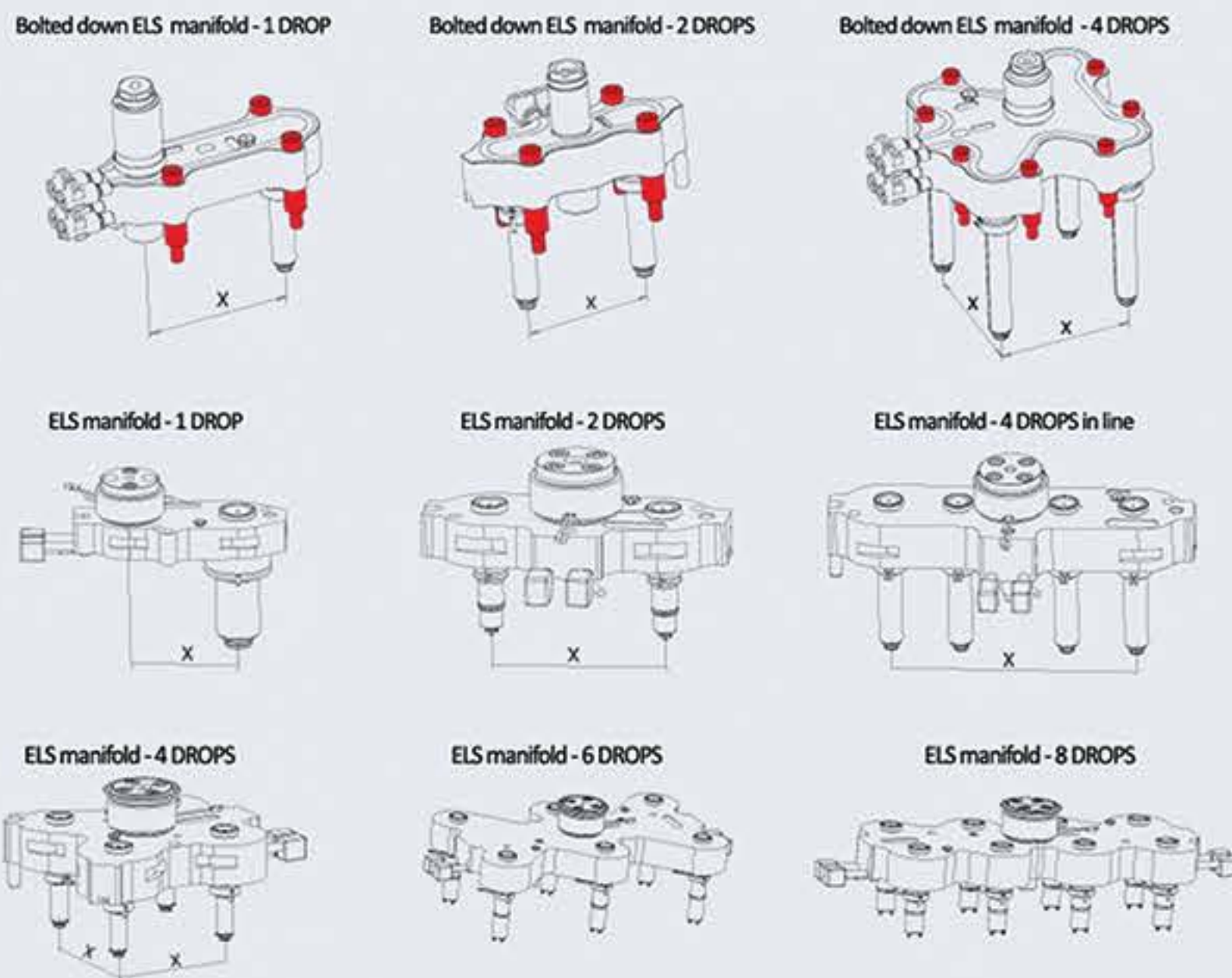
Webcreator 访问界面 / Webcreator access screen



The Webcreator allows to configure bolted down injection systems with 1, 2 and 4 nozzles. Configurations over 4 nozzles are possible only on demand as special systems.
The pressure pads located between manifold and back plate, have been eliminated in the bolted down systems, with the following benefits:

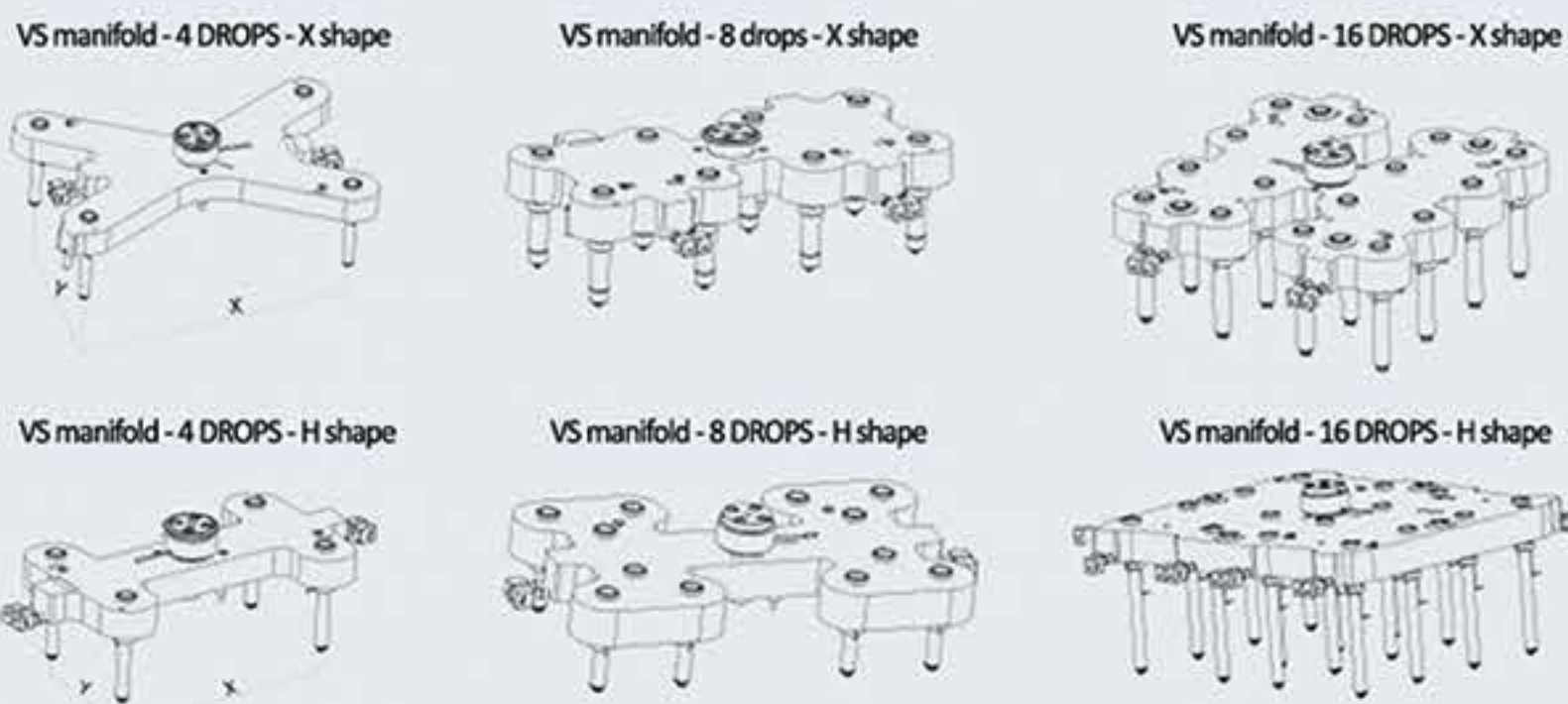
- improved safety against the risk of leakages due to wrong process parameters (cold starts, interruption of the cooling system in the hot half plates).
- decreasing of power consumption.
- eliminate the transfer of mechanical stresses from the injection system to the mould.
- more homogeneous temperature distribution in the hot half plates.

The new compact design of the bolted down manifolds and the injection bushing allows to decrease the overall dimension of the injection system by 40% approximately.



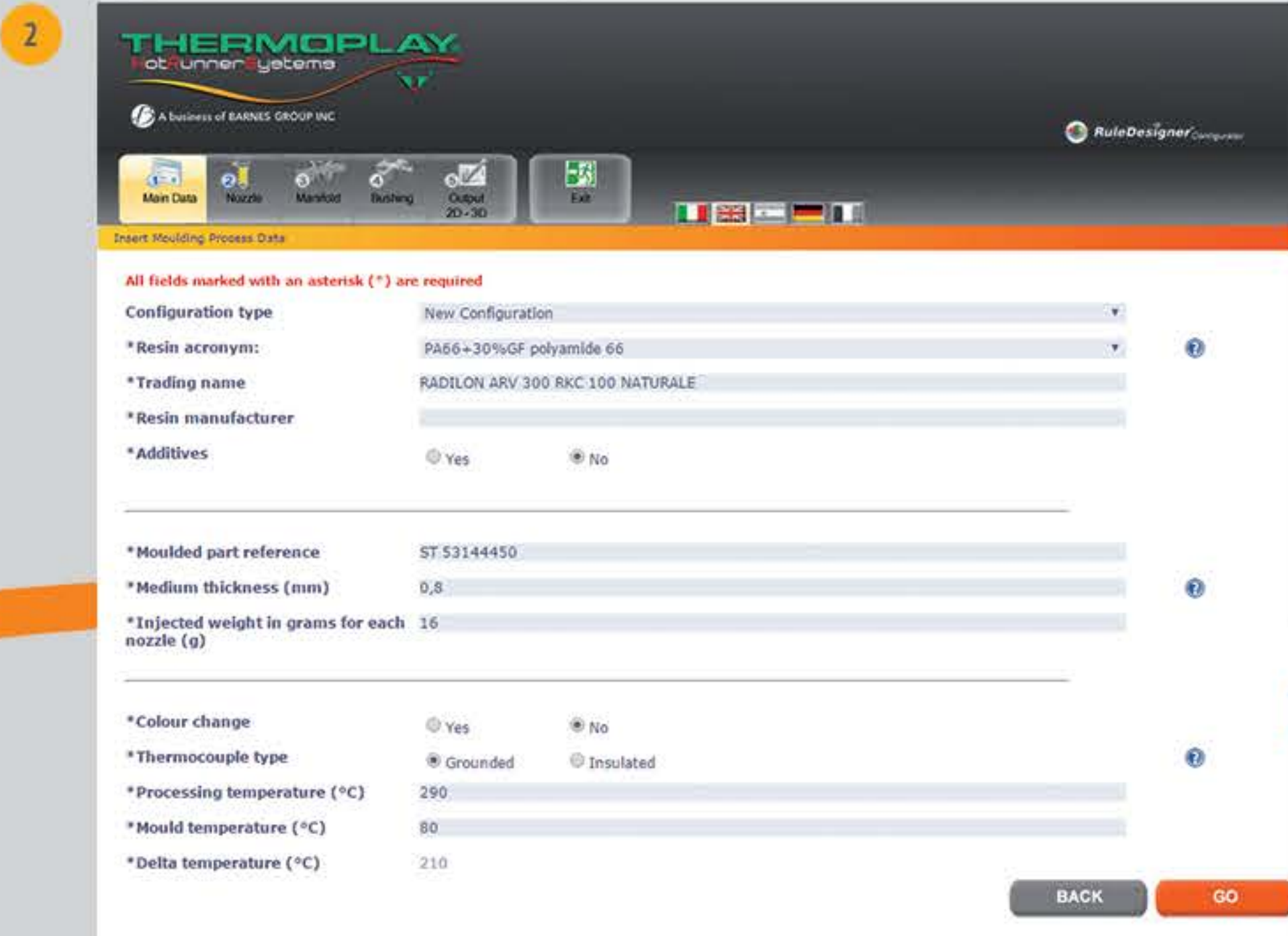
The VS series injection systems differs from ELS system for the following characteristics:

- Can be an 'X' or 'H' shape manifold.
- Available up to 16 drops.
- Only suitable with coverheater.



GO TO WEBCREATOR >>

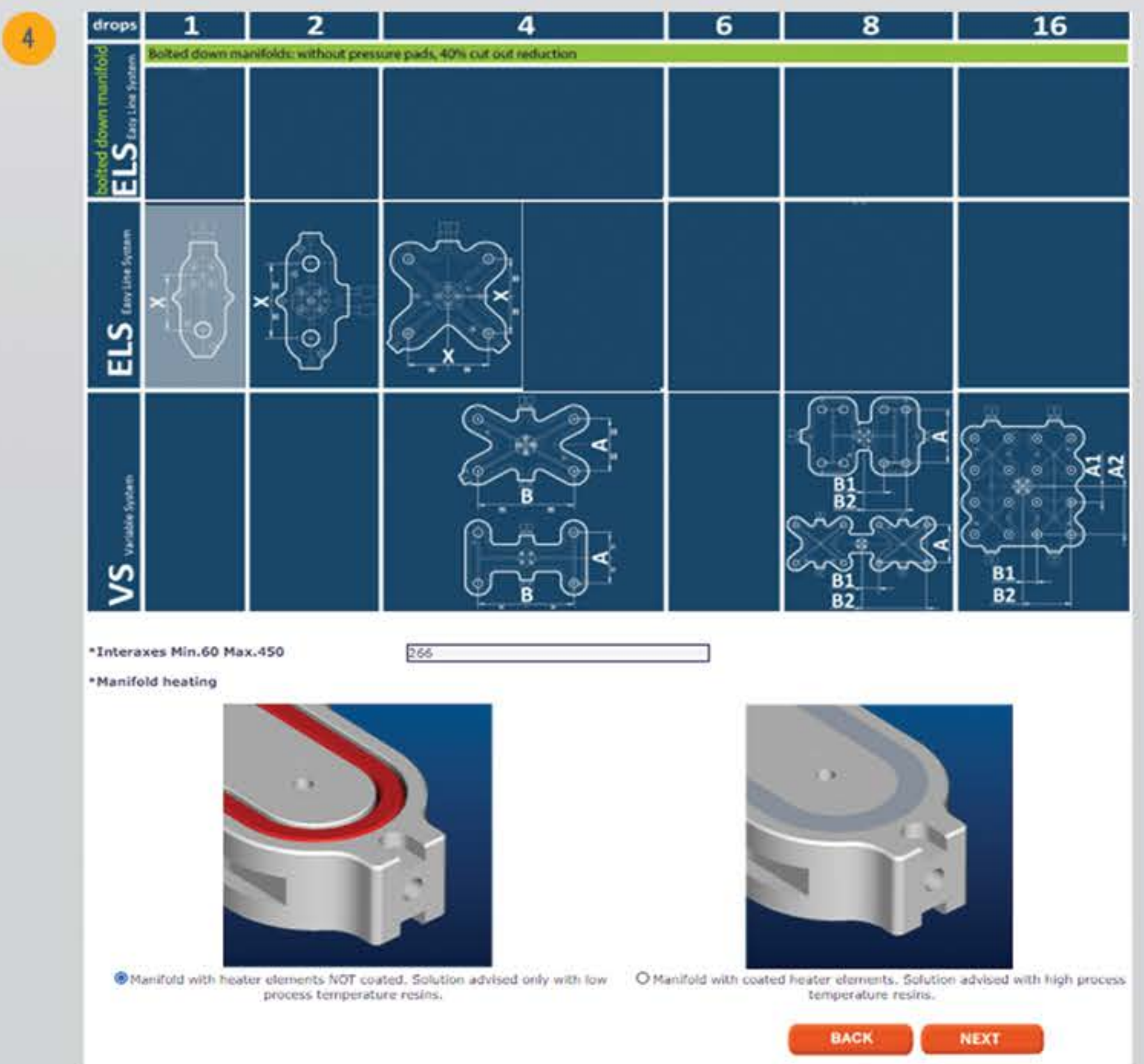
成型过程数据输入 / Moulding process data input



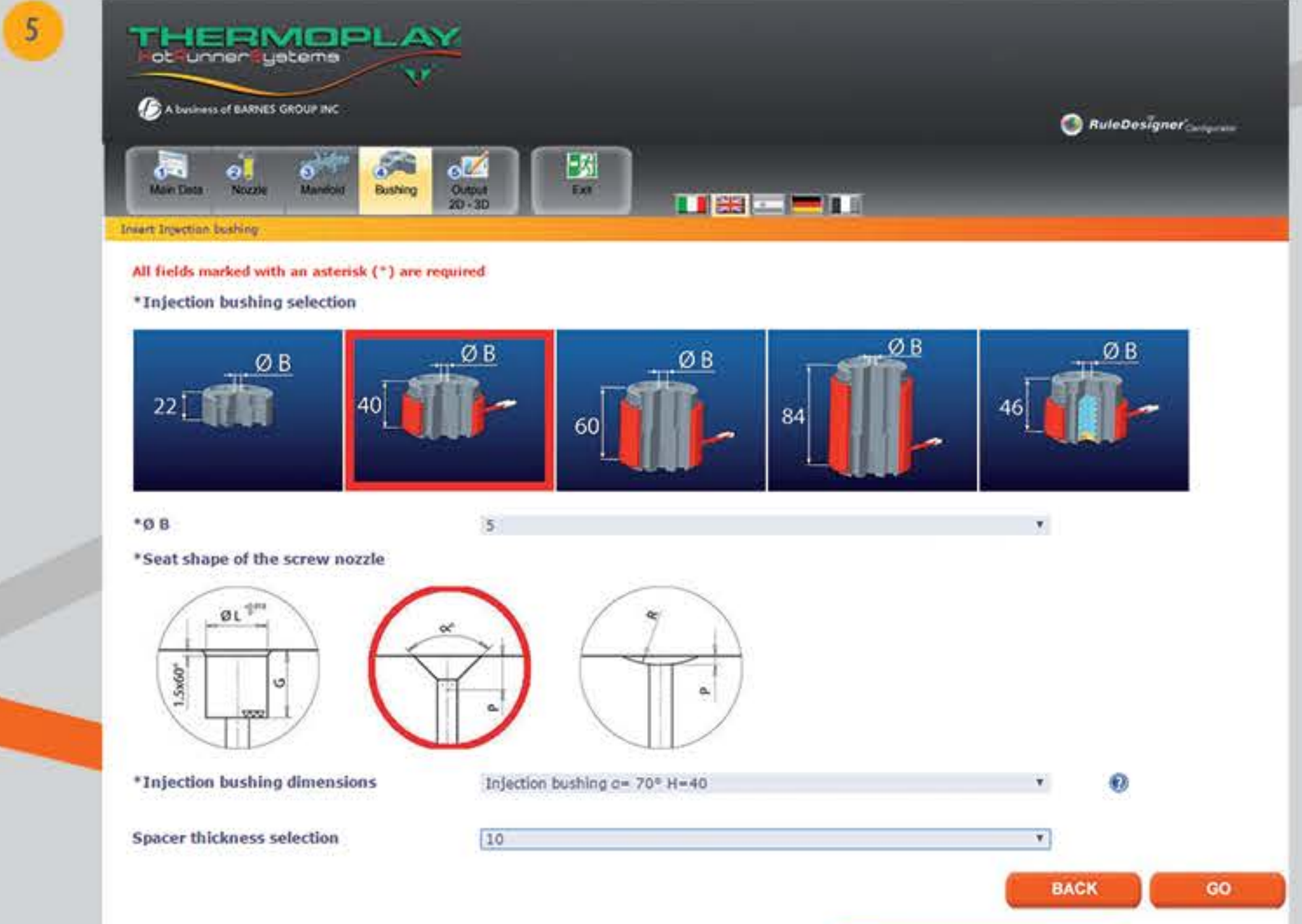
喷嘴类型选择 / Nozzle type selection



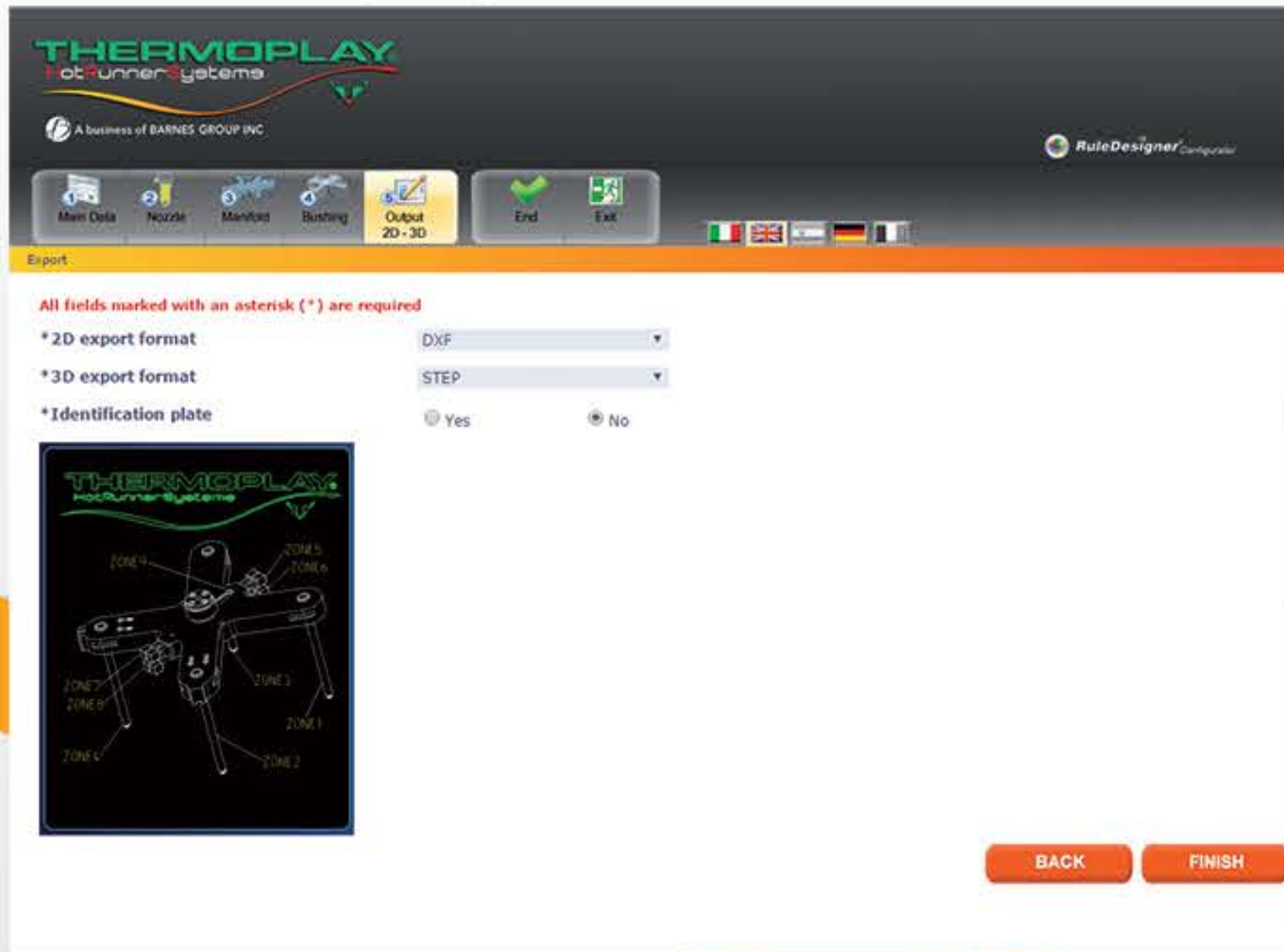
分流板类型选择 / Manifold type selection



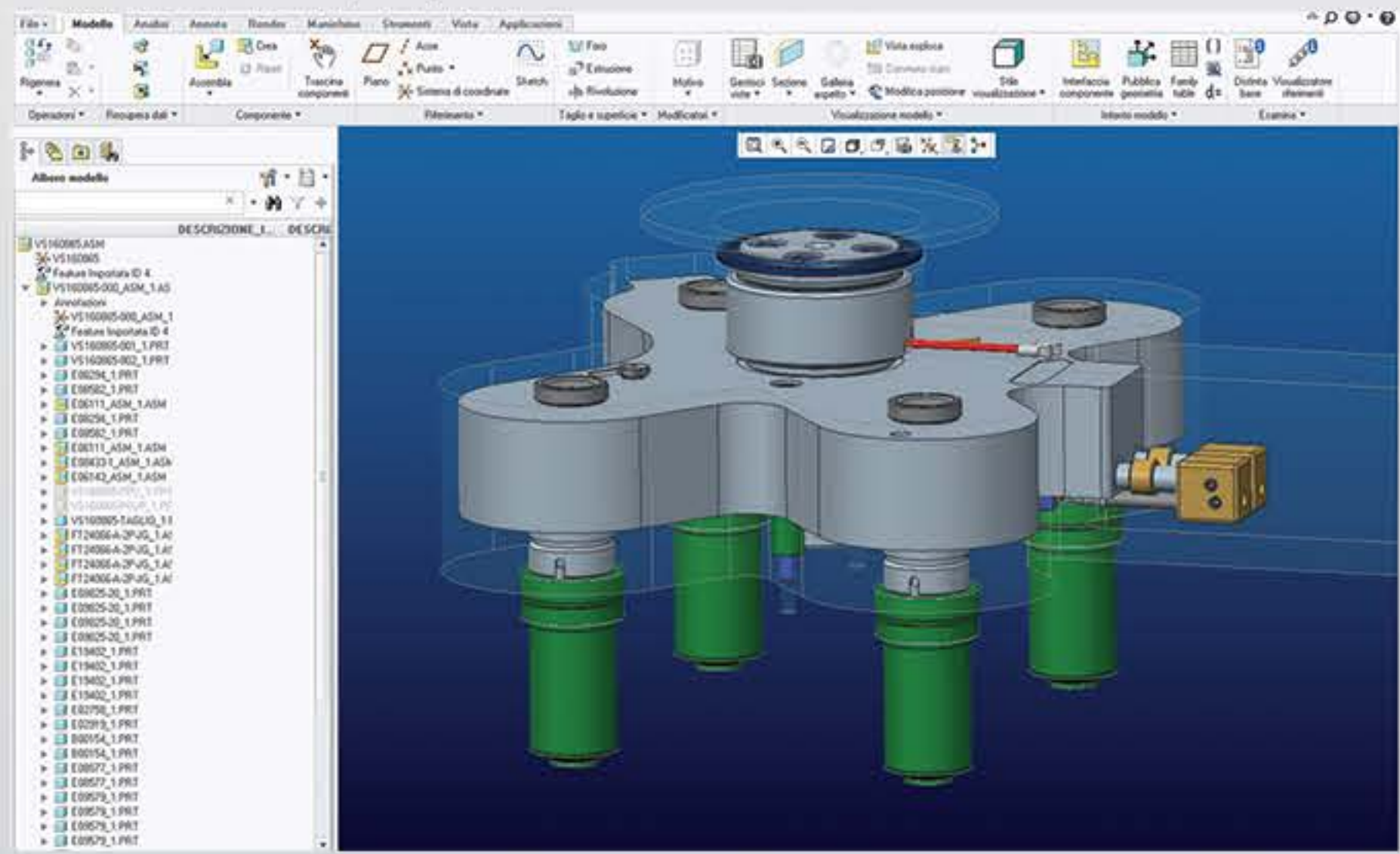
注塑衬套类型选择 / Injection bushing type selection



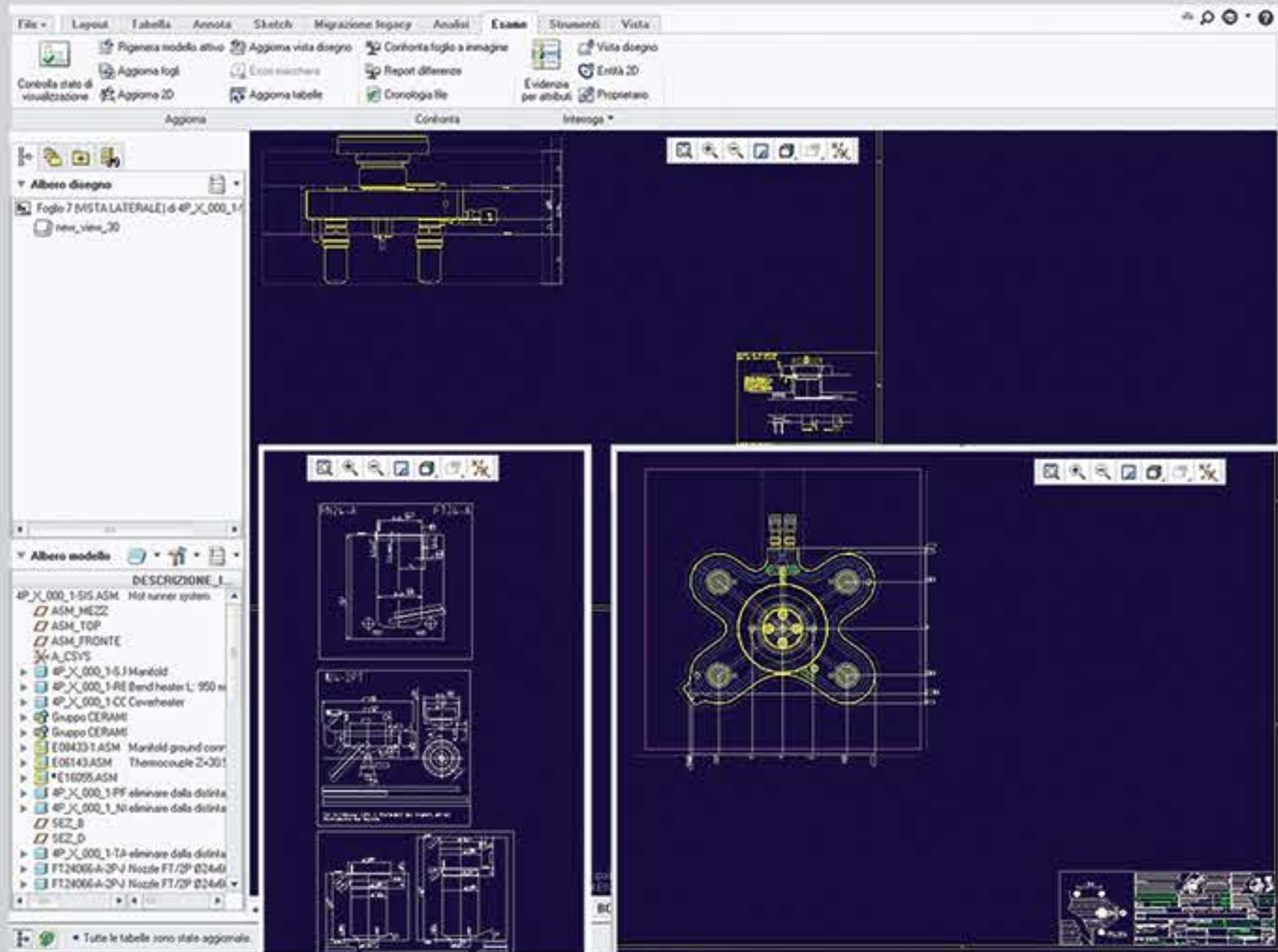
导出注塑文件类型 / Export file type selection



打开3D文件 / 3D file opening



打开2D文件 / 2D file opening



配置零件清单 / Configuration part list

WEB CREATOR		
User data:		
Last name: Pomesano	First name: Teresa	
Company: Thermoplay	E-mail: m.pomesano@thermoplay.com	
Part list:	Configuration number	VS160865
Code	Description	Q.ty
VS160865-000	MANIFOLD I=170-124 - ØC=8 - HC=20 - ØT=22 - ØFB=10 - X	1
E06143	THERMOCOUPLE Z=30,5 WITH CABLE 2000 MM	1
FT24#066A02PSTDJG	NOZZLE FT Ø24 X 66 STD HEATER CABLE EXIT TIP 2P STD TC J GROUNDED	4
E09825#20	BUSHING FOR NOZZLE F/2 Ø24X56	4
E19402	PRESSURE PAD Ø25	4
E02758	CENTERING WASHER	1
E02919	CENTERING PIN D1/2/3 Ø 44	1
E08577	SPACER FOR SCREWS	2
E09579	SPACER FOR NOZZLE BUSHING F Ø24 H=10	4
IB#5405104000A070	INJECTION BUSHING Ø10 H=40 Ø54 Ø5 Ø10 H40 STD A=70°	1
E09053	HEATER GROUP Ø54X40	1
E09052	SEAL RING DIA. 51.5	1
E02923	ADJUSTER RING FOR BUSHING	1
E07033	TEMPERATURE SENSORE TC Ø1.5X60 J TYPE LC= 1MT.	1
E04901	SPACER INJ. BUSH H=10	1
Not shut off valve - Gate diameter 2 mm		
In case of offer request send to:		
We reserve the right to make changes to the configuration chosen and we kindly ask you to contact us in case of inaccuracies in the CAD models or enclosed document.		
According to law 675/96, we inform you that your data will be processed exclusively for accounting and fiscal purposes.		
THERMOPLAY S.p.A.		



THERMOPLAY S.p.A.

Via Carlo Viola, 74 - 11026 Pont Saint Martin (AO) Italy
Tel.: +39 0125 800311 - Fax.: +39 0125 800336
thermoplay@thermoplay.com

THERMOPLAY FRANCE s.a.r.l.

Tel.: +33 134 400017
Fax.: +39 0125 800336
info@thermoplay.fr

THERMOPLAY DEUTSCHLAND GmbH

Unter Gereuth 9-11, 79353 Bahlingen, Germany
Tel. +49 (0) 7663 609-0 - info@thermoplay.de

THERMOPLAY U.K. Ltd.

Tel.: +44 1702 473876
Fax.: +39 0125 800336
thermoplay@thermoplay.co.uk

THERMOPLAY PORTUGAL Unipessoal Lda

Rua Dr. Manuel Ribeiro De Oliveira
R/C Esq., 2400-178 Leiria, Portugal
Tel.: +351 244 577247 - geral@thermoplay.pt

THERMOPLAY USA

1105 Progress Industrial Blvd.
Lawrenceville GA 30043 USA - Tel.: +1 770-449-1820
Fax: +1 770-449 1821 - info@maenner-group.com

THERMOPLAY ASIA

Barnes Moulding Solutions (JIANGSU) CO. LTD
Building 42, no 2 Taishan Road Suzhou New District
215129 Jiangsu, Suzhou - P.R. CHINA
tel. +86 512 6690 1756 - schina@bginc.com

THERMOPLAY BRASIL Sistemas de Injeção Ltda

Rua Wallace Barnes 301, 13054-701 Campinas, SP, Brasil
Tel.: +55 19 3725 1094 - thermoplaybr@thermoplay.com

THERMOPLAY INDIA Private Limited

1st Floor "Casa Fernandes" - Kamat Kinara Lane
Miramar-Panaji, GOA-403 002, India
Tel. +91 832 2461155 / 2461156 - info@thermoplay.in

www.thermoplay.com

ARGENTINA AUSTRIA BELARUS BELGIUM BRASIL BULGARIA CANADA CHINA COLOMBIA CROATIA CZECH REPUBLIC EGYPT FRANCE GERMANY GREECE HUNGARY INDIA INDONESIA ISRAEL ITALY JAPAN JORDAN KOREA LUXEMBURG MALAYSIA MEXICO NEW ZEALAND PERU POLAND PORTUGAL REP. OF SOUTH AFRICA ROMANIA RUSSIA SAUDI ARABIA SERBIA MONTENEGRO SINGAPORE SLOVENIA SPAIN SWEDEN SWITZERLAND TAIWAN THAILAND THE NETHERLANDS TUNISIA TURKEY UNITED KINGDOM USA VIETNAM