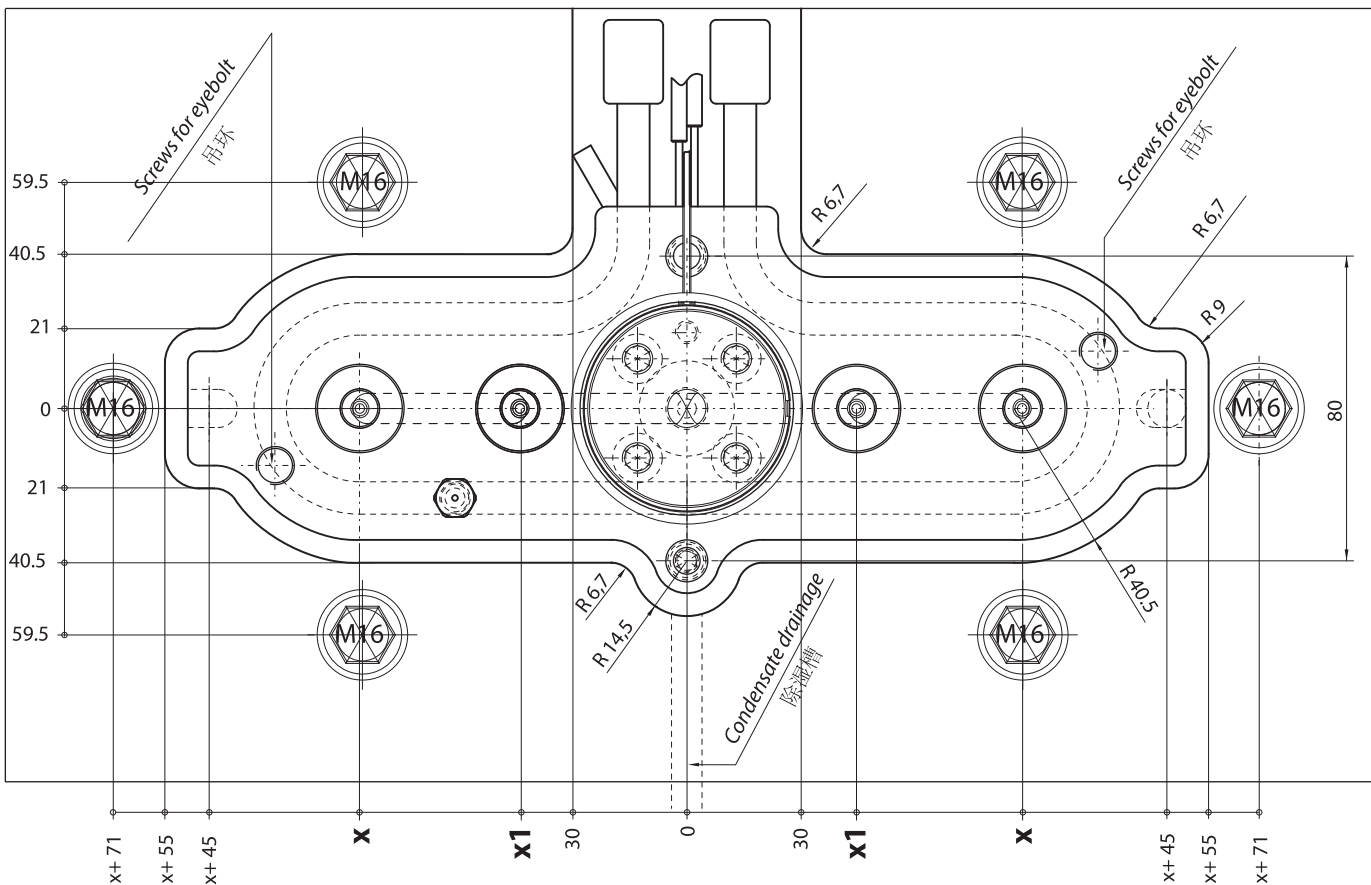
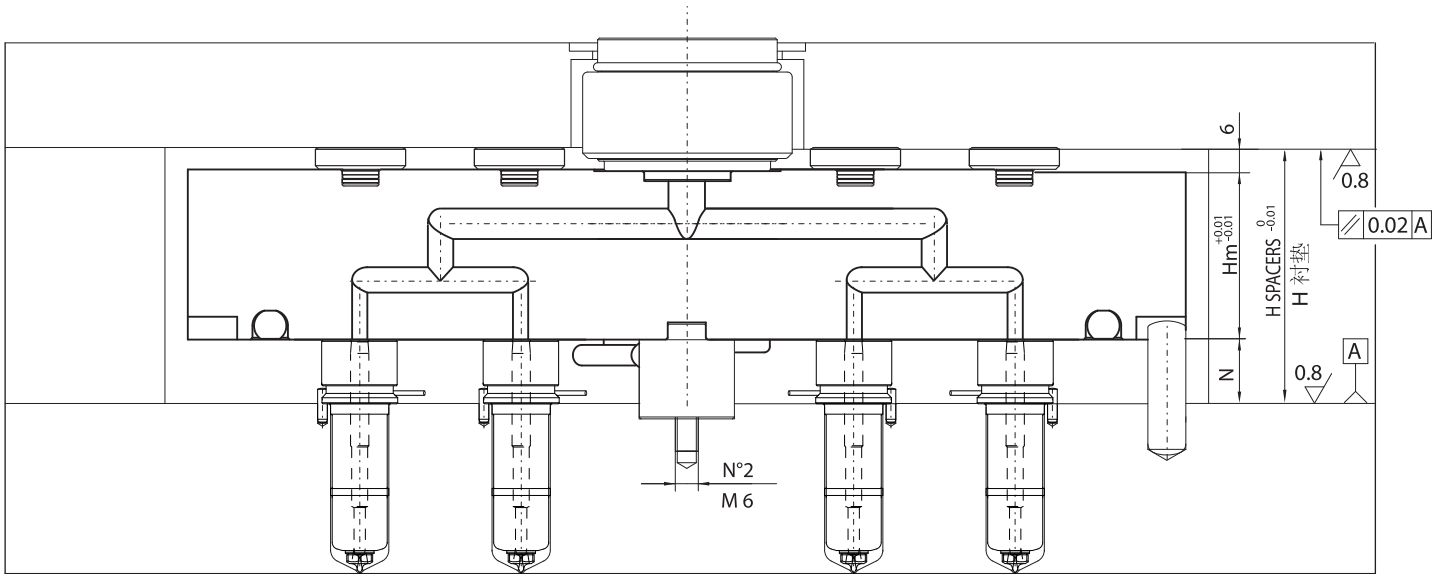




CONFIGURABLE SYSTEMS
Create the configuration on www.thermoplay.com

可在线配置的热流道系统

填写配置信息在www.thermoplay.com



H spacers / 衬垫 = (N + Hm + 6) + [(N + Hm + 6) · ΔT · k] - 0.05 = mm

N = nozzle head / 喷嘴头

Hm = Manifold thickness / 分流板厚度 (DNØ18-22 / FØ11/FØ16-24 Hm = 44 - DNØ30/FØ32 Hm = 52)

Δt = Temperature difference between the hot runner and the mould / 热流道与模具间温差

K = Steel thermal expansion coefficient / 钢热膨胀系数 (= 0.0000125)



CONFIGURABLE SYSTEMS / 可在线配置的热流道系统

Manifold / 流道板			Heater / 加热器			Termocouple / 温差电偶		
1 CODE 1 代码	Nozzle c/c 间距		Armored heaters ³ 内置的加热圈 ³			grounded 接地	insulated 绝缘	Qty / 数量
	X1	X	CODE 代码	Power ² 功率 [W]	Q.ty 数量			
E95001	45<x1<46	104<x<105	TS010	2300	1	E06143	E16055	1
E95002	45<x1<51	105<x<110	TS010	2300				
E95003	45<x1<56	110<x<115	TS011	2700				
E95004	45<x1<61	115<x<120	TS050	2500				
E95005	45<x1<66	120<x<125	TS012	2500				
E95006	45<x1<71	125<x<130	TS062	2500				
E95007	45<x1<76	130<x<135	TS063	2700				
E95008	45<x1<81	135<x<140	TS130	3300				
E95009	45<x1<86	140<x<145	TS015	3100				
E95010	45<x1<91	145<x<150	TS156	3300				
E95011	45<x1<96	150<x<155	TS065	3100				
E95012	45<x1<101	155<x<160	TS065	3100				
E95013	45<x1<106	160<x<165	TS123	2700				
E95014	45<x1<111	165<x<170	TS018	3300				
E95015	45<x1<116	170<x<175	TS176	3000				
E95016	45<x1<121	175<x<180	TS020	3200				
E95017	45<x1<126	180<x<185	TS020	3200				
E95018	45<x1<131	185<x<190	TS068	3300				
E95019	45<x1<136	190<x<195	TS069	3300				
E95020	45<x1<145	195<x<200	TS070	3200				
E95021	45<x1<146	200<x<205	TS070	3200				
E95022	45<x1<151	205<x<210	TS024	3300				
E95023	45<x1<156	210<x<215	TS024	3300				
E95024	45<x1<161	215<x<220	TS025	3300				
E95025	45<x1<166	220<x<225	TS026	3400				
E95026	45<x1<171	225<x<230	TS175	3400				
E95027	45<x1<176	230<x<235	TS177	3500				
E95028	45<x1<181	235<x<240	TS119	3400				
E95029	45<x1<186	240<x<245	TS140	3500				
E95030	45<x1<191	245<x<250	TS029	3300				

SPARE PARTS / 备用零件

¹ Not valid code for order / 无效订单编号

² Nominal power referred to each single heater / 每个部件的理论功率

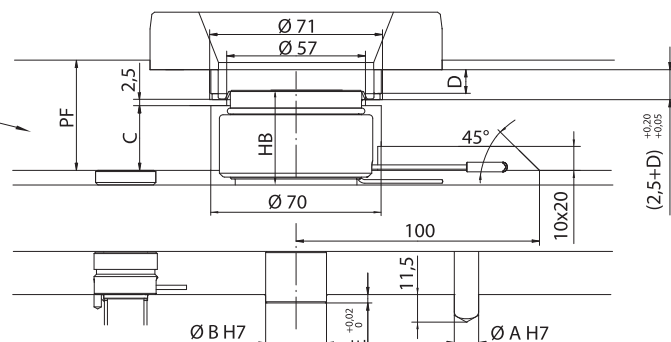
³ To be carried out at Thermoplay / 换件要送回Thermoplay

Heat - treatable steel plate 110 Kg/mm²
in alternative hardened steel Hrc 42-46
淬火钢板110kg/mm²或者预硬钢板Hrc 42-46

For dimension not specified
consult Thermoplay catalogue
in accessories section.

其它事宜请参照附件篇,
页码16

HB	C	PF
22	11	18 + D
40	27	36 + D
46	27	36 + D
60	47	56 + D
84	71	80 + D



Further information have to be requested to Thermoplay's Technical Support - 更多信息咨询Thermoplay技术部