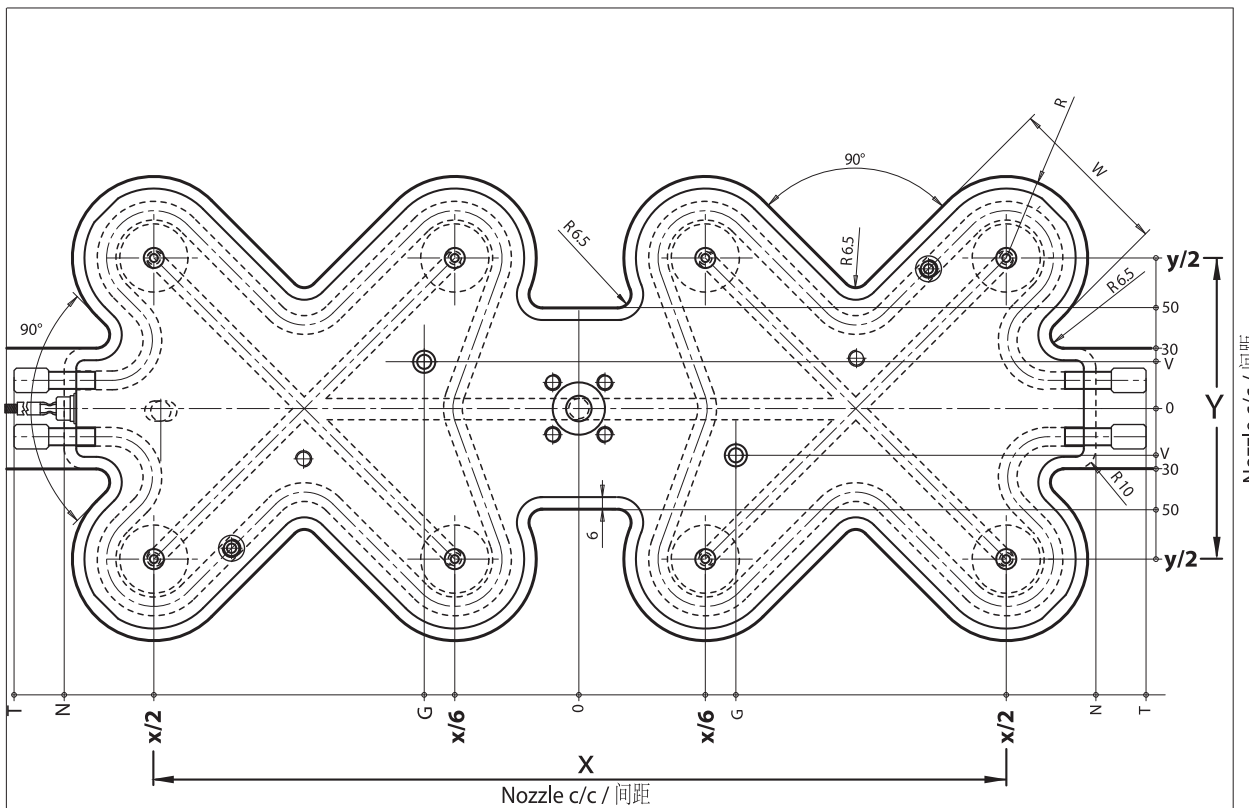
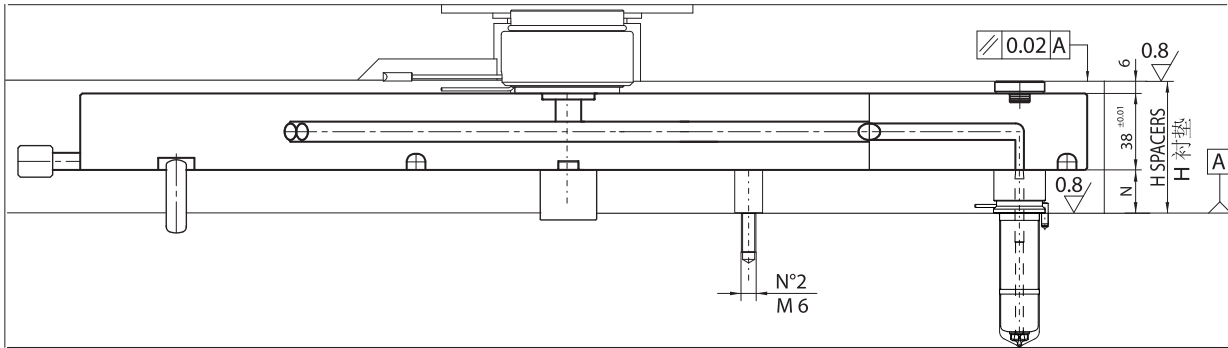




**CONFIGURABLE SYSTEMS**  
 Create the configuration on [www.thermoplay.com](http://www.thermoplay.com)  
**可在线配置的热流道系统**  
 填写配置信息在[www.thermoplay.com](http://www.thermoplay.com)



$$H \text{ Spacers} / H \text{ 衬垫} = (N + 38 + 6) + [(N + 38 + 6) \cdot \Delta T \cdot k] - 0.05 = \text{mm}$$

N= nozzle head / 喷嘴头

$\Delta t$  = Temperature difference between the hot runner and the mould / 热流道与模具间温差

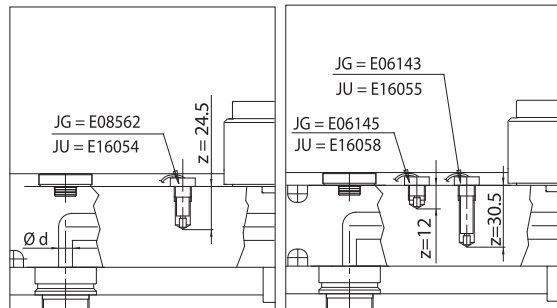
K = Steel thermal expansion coefficient / 钢热膨胀系数 (= 0.0000125)



## CONFIGURABLE SYSTEMS 可在线配置的热流道系统

CODE 代码	Nozzle c/c 间距		T	N	S	G	V	W	R
	x	y							
<b>E90285</b>	300	100	244	205	150	60	20	81	40.5
<b>E90136</b>	450	150	300	261	220	90	30	81	40.5
<b>E90292</b>	600	200	363	323	270	110	50	99	49.5
<b>E90296</b>	750	250	412	373	320	160	50	99	49.5

Nozzle type 喷嘴	Ø d	Suffix 后缀	Available manifold 可用的流道板
DN Ø18	Ø 4	- 40	E90285 - E90136
KSS-8 Ø22 F Ø16 - 24 DN Ø22	Ø 6	- 60	E90285 - E90136
KSS-8 Ø30 DN Ø30	Ø 8	- 80	E90285 - E90136 E90292 - E90296
F Ø32 DN Ø44	Ø 11	- 11	E90292 - E90296
KSS-8 Ø44	Ø12.7	- 127	E90292 - E90296



ORDERING CODE EXAMPLE - 实例:

**E90136** - **40** - **JU**

① Manifold code - 流道板

② Nozzle type suffix  
后缀

③ Termocouples / 温差电偶

SPARE PARTS / 备用零件						
CODE 代码	Heaters / 加热器			Termocouples / 温差电偶 ③		
	Heater code 加热器	Power* 功率* [W]	Qty 数量	grounded / 接地 JG	insulated / 绝缘 JU	Qty 数量
<b>E90285</b>	TS146	2000	2	E08562	E16054	2
<b>E90136</b>	TS176	3000	2			
<b>E90292</b>	TS142	2400	4	E06143	E16055	2+2
<b>E90296</b>	TS182	3000	4	E06145	E16058	

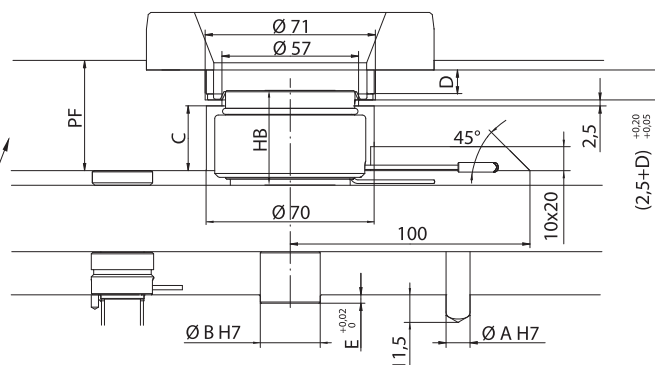
\* Nominal power referred to each single heater  
\* 每个部件的理论功率

JG= Grounded thermocouples J type / J型接地热电偶  
JU = Insulated thermocouple J type / J型绝缘热电偶

HB	C	PF
22	11	18 + D
40	27	36 + D
46	27	36 + D
60	47	56 + D
84	71	80 + D

For dimension not specified consult Thermoplay catalogue in accessories section.  
其它事宜请参照附件篇, 页码16.02

Heat - treatable steel plate 110 Kg/mm<sup>2</sup>  
in alternative hardened steel Hrc 42-46  
淬火钢板110kg/mm<sup>2</sup>或者预硬钢板Hrc 42-46



Further information have to be requested to Thermoplay's Technical Support - 更多信息咨询Thermoplay技术部