

WORKSHEET FOR HOT HALF ENQUIRY

◦ **PILLARS, SCREWS AND CENTERING RING:**

- CENTERING PILLARS (C1): \varnothing Q.ty (small diameter).
 CENTERING PILLARS (C2): \varnothing Q.ty (big diameter).
 FIXING SCREWS (B): M Q.ty
 CENTERING RING (D): \varnothing

◦ **ELECTRICAL SOCKETS AND LAYOUT:**

- SOCKET TYPE:
 PLEASE SUPPLY NUMBERING NOZZLES
 PLEASE SUPPLY TEMPERATURE CONTROLLER
 ELECTRICAL LAYOUT

◦ **PLEASE STATE LOCATION OF:**

- ELECTRICAL CONNECTORS (1- 12)
 COOLING FITTINGS

◦ **NOZZLE PROTUSION FROM NOZZLE-HOLDER PLATE (A)**

◦ **HOT HALF MAXIMUM THICKNESS (HT)**

- **CLAMPING:** EMBEDDED PASSING THROUGH (G1)
 EMBEDDED BLIND (G2)
 OUT OF EDGE (G3)

IF CLAMPING IS OUT OF EDGE, PLEASE SPECIFY (F) DIMENSION

◦ **FOR COOLING FITTINGS, PLEASE SPECIFY:**

- THREADS: not embedded (E2)
 embedded (E1)
 if embedded please specify \varnothing Y:
 and the depth
- THREADS: / GAS
 threads M

◦ **INSULATING PLATE:**

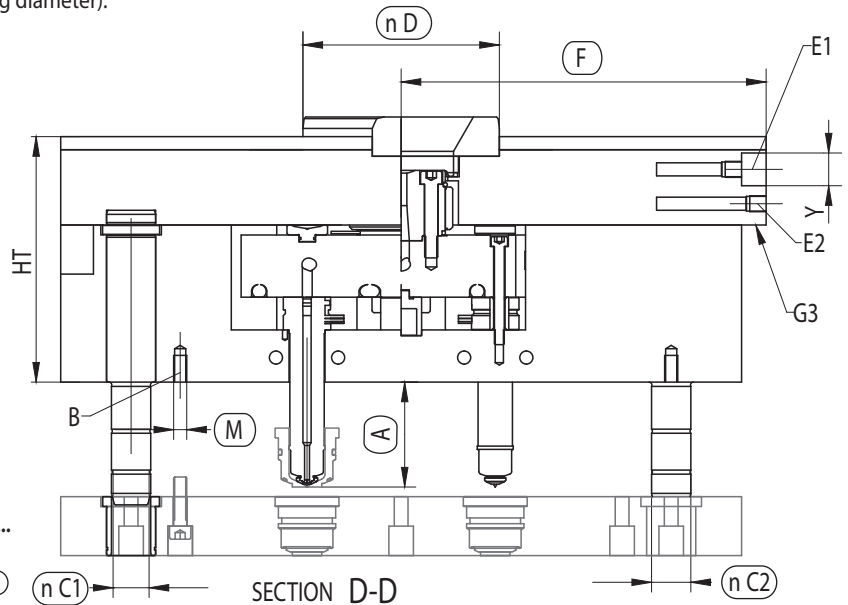
- YES
 NO

◦ **INOX:**

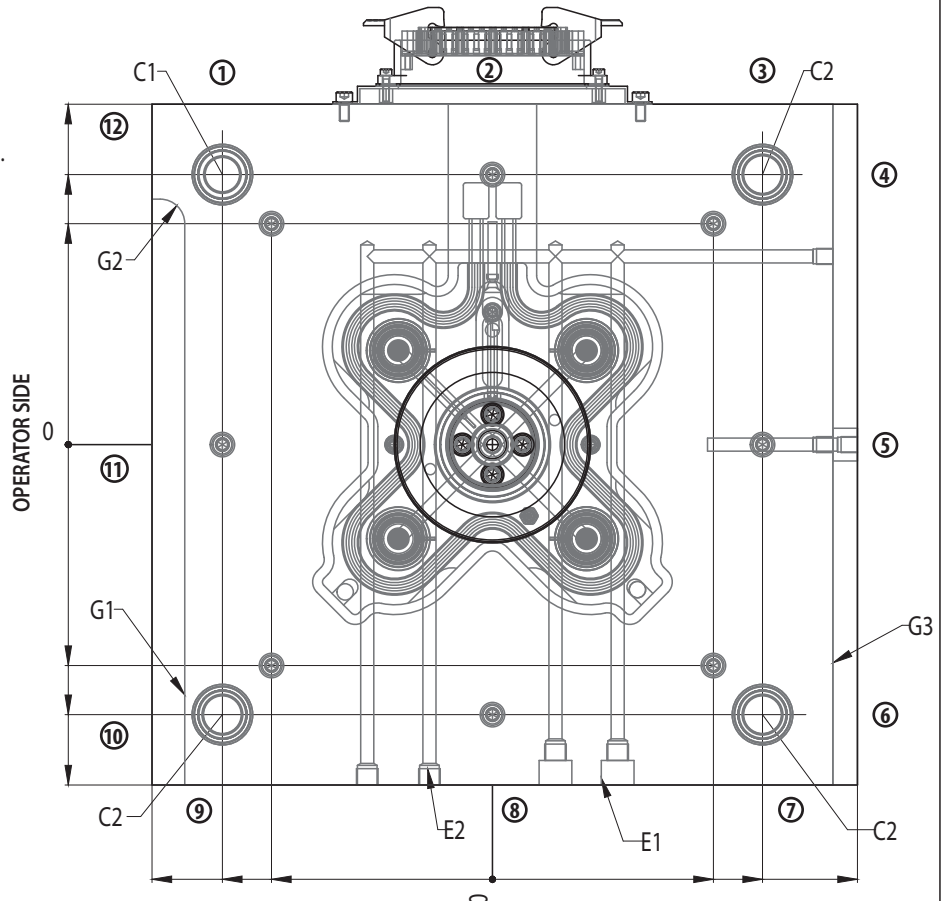
- YES
 NO

◦ **HEATER CABLES EXIT IN THE MIDDLE: (ONLY NOZZLES F \varnothing 16-24)**

- YES
 NO



TOP OF THE MOULD



NOTE: The represented drawing is "view from injection bushing/nozzle press".

Customer technical specs.

NOTE

WORKSHEET FOR HOT HALF ENQUIRY

◦ **PILLARS, SCREWS AND CENTERING RING:**

CENTERING PILLARS (C1): ϕ Q.ty(small diameter).
 CENTERING PILLARS (C2): ϕ Q.ty(big diameter).
 FIXING SCREWS (B): M Q.ty
 CENTERING RING (D): ϕ

◦ **ELECTRICAL SOCKETS AND LAYOUT:**

SOCKET TYPE:
 PLEASE SUPPLY NUMBERING NOZZLES
 PLEASE SUPPLY TEMPERATURE CONTROLLER
 ELECTRICAL LAYOUT

◦ **PLEASE STATE LOCATION OF:**

ELECTRICAL CONNECTORS (1- 12)
 COOLING FITTINGS
 SHUT OFF VALVES CONTROL CONNECTIONS

◦ **NOZZLE PROTUSION FROM NOZZLE-HOLDER PLATE (A)**

◦ **HOT HALF MAXIMUM THICKNESS (HT)**

- **CLAMPING:** EMBEDDED PASSING THROUGH (G1)
 EMBEDDED BLIND (G2)
 OUT OF EDGE (G3)

IF CLAMPING IS OUT OF EDGE, PLEASE SPECIFY (F) DIMENSION

◦ **FOR COOLING FITTINGS, PLEASE SPECIFY:**

THREADS: not embedded (E2)
 embedded (E1)
 if embedded please specify ϕ Y:
 and the depth
 THREADS: / GAS
 threads M

◦ **FOR SHUT OFF VALVES CONTROL CONNECTIONS PLEASE SPECIFY:**

OPERATION: air oil
 THREADS: not embedded (E2)
 embedded (E1)
 if embedded please specify ϕ Y:
 and the depth
 THREADS TYPE: / GAS
 threads M

◦ **INSULATING PLATE:**

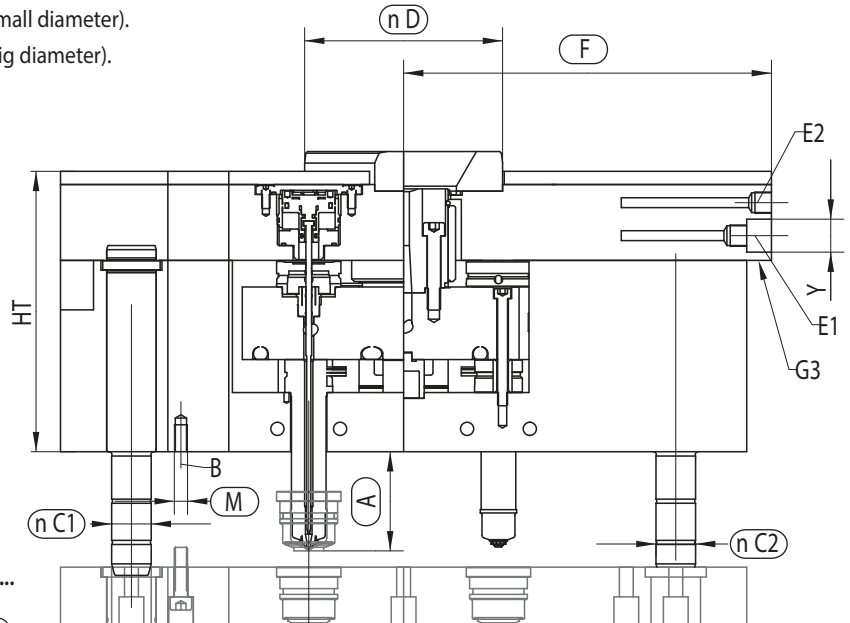
- YES
 NO

◦ **INOX:**

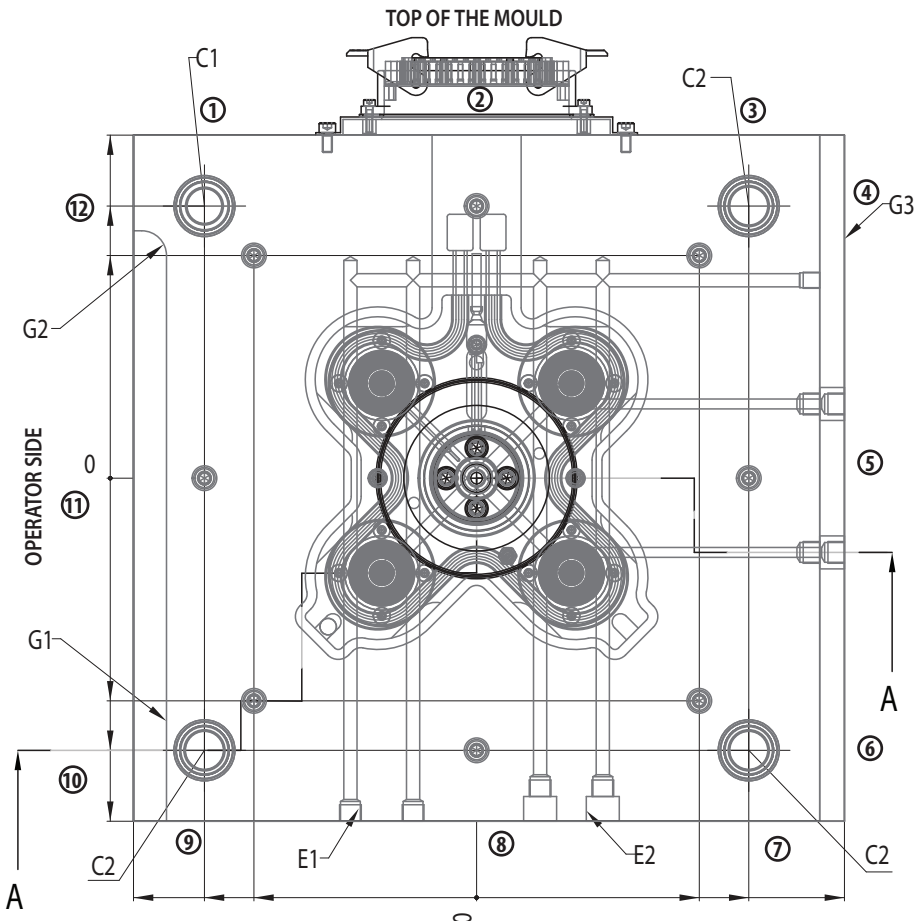
- YES
 NO

◦ **HEATER CABLES EXIT IN THE MIDDLE:**
 (ONLY NOZZLES F ϕ 16-24)

- YES
 NO



SECTION A-A



NOTE: The represented drawing is "view from injection bushing/nozzle press".

Customer technical specs.

NOTE